

## Instruction of LED Pool Light Controller

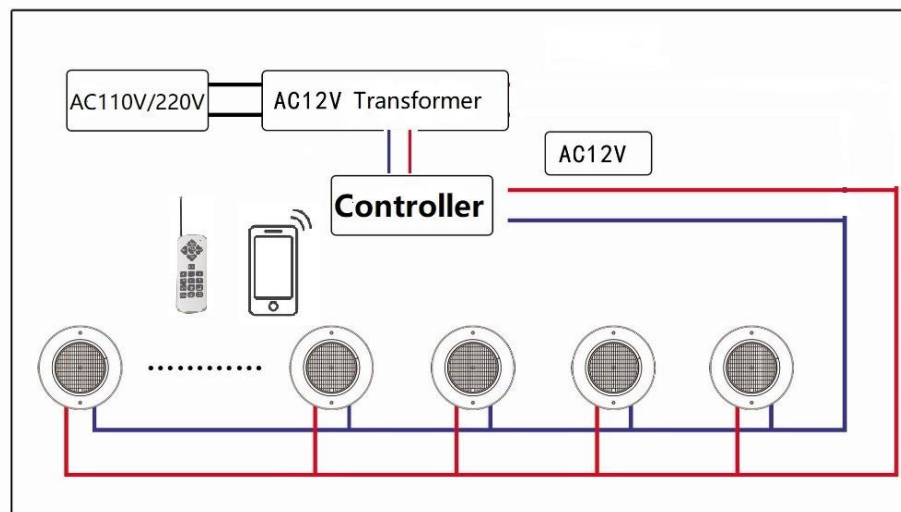


Housing Protection: Indoor using only  
Housing Size: 150 mm x 150 mm x 65 mm  
Working temperature: -40 °C ~ +70 °C  
Cable distance: Within 100 meters

### 2. INSTALLATION:

Prior to commencing, make sure there is no electricity passing through the wires and cables to be connected. Mount the controller on a solid and secure wall at a minimum distance of 5 meters from any water source or pipes. Open the controller cover, connect the 12V AC input voltage into the terminals clearly marked as 12V AC INPUT. Connect the lamps parallel to the terminals clearly marked as LAMPS 12VAC. It is essential to make sure the connections are as tight as possible in order to avoid sparking.

#### Installation diagram;



**IMPORTANT:** This manual includes essential information on the safety measures to be implemented for installation and start-up. Therefore, the installer, as well as the user, must read these instructions before beginning installation and start-up. To achieve optimum performance, follow the instructions indicated below:

### 1. TECH SPECS:

Input Voltage: 12V AC  
Output Voltage: 12V AC  
Maximum Power Output at 12V Terminal:  $\leq 350W$   
Weight: 0.5kgs

### 3. SETTINGS



As above photo, the **K1** is the setting key, by pressing it, the lamps can be changed between these 2 modes: Switch on/off control, Controller box control. All lamps' default mode is Switch on/off control mode.

#### **Change Switch on/off control mode to Controller box control mode:**

Turn off the lamps for >1 min, connect all the lamps to the controller's terminals LAMPS 12V , and connect the controller to the transformer . Turn on the power, **within 3S**, press the K1 and release immediately. Now you can test if the setting is succeeded by touching the controller's keys and see if the lamps showing corresponding colors. If not succeed, please repeat these steps again.

#### **Change Controller box control mode to Switch on/off control mode:**

Turn on the power and **5S later**, keep pressing the K1, the green indicator light is on ,3S later, when you see the green indicator light is flashing slowly, release the K1 key and this setting is done, you can control the lights by turn off and on the power now.

#### **Controller Re-setting:**

Turn on the power, keep pressing the K1. the green indicator light is on ,3S later, it will flash slowly, keep pressing it, 10S later, when you see the green indicator light is flashing fast, then release the K1 key and this setting is done. The WIFI SSID will be resume to RF-POOL-\*\*\*\*\*(\*is every controller's ID). WIFI password resume to "12345678"

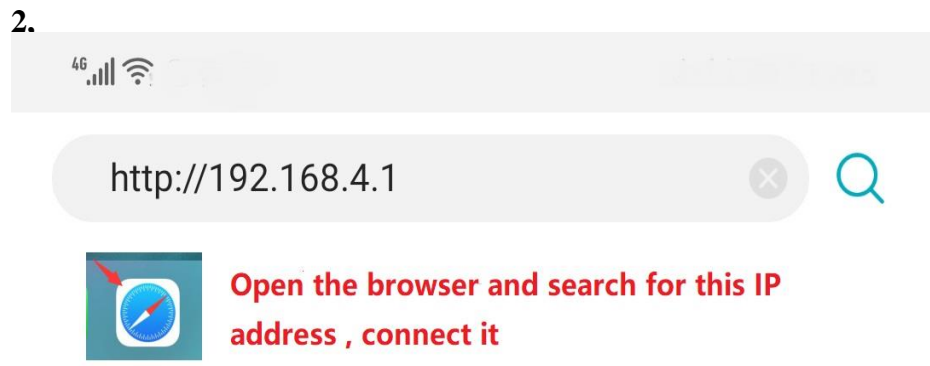
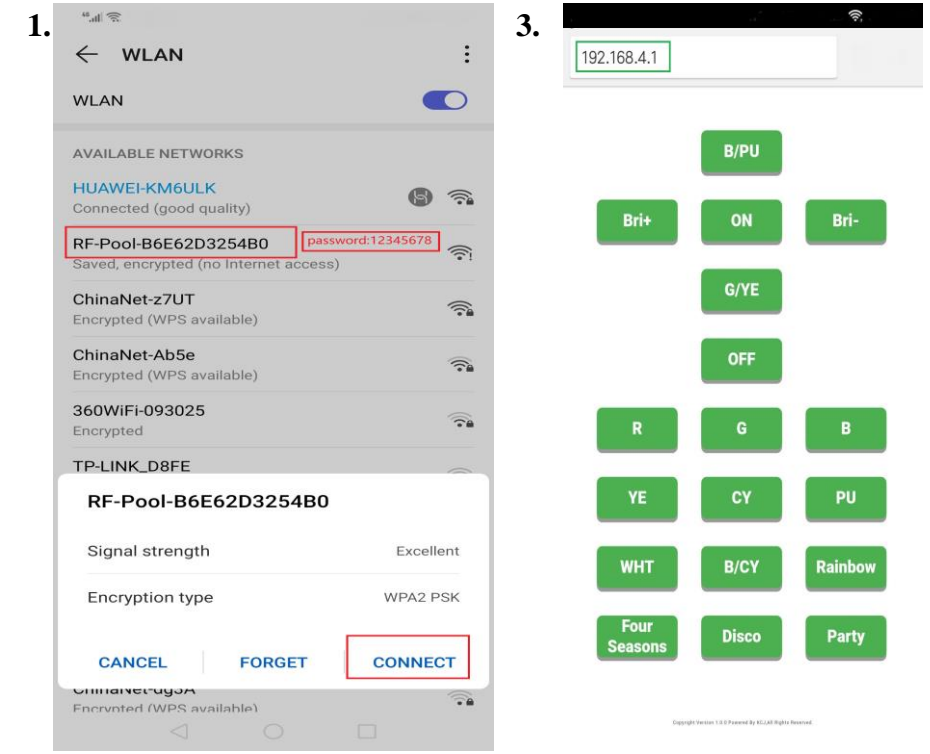
### 4. CONTROL OPERATIONS:

#### **A: WIFI control via mobile phone:**

1. Connect the controller to the transformer and turn on, Open the WLAN in your phone's Setting zone. search for the "RF-POOL-\*\*\*\*\*" WIFI hotspot, choose it and enter the original password of 12345678, connect it.

2.1 After succeed connection, open your mobile phone's Internet browser, enter the IP address of 192.168.4.1, go for it and then you will get the control

surface. Please refer to below photos:



2.2 Or After succeed connection, open your mobile phone's scanner and scan the below QR code, go for it and then you will get the control surface



**Note:** If the connection is not succeeded, please check if your phone's 4G/5G network and other WIFI hotspot have been turn off. Because the RF-POOL-\*\*\*\*\* is LAN WIFI and it can't be connected to outer internet, some phones will switch to other WIFI automatically.

**B: Touch Panel control (18 keys)**



**C: 18 keys Remote controller control (optional)**



## **The 18 keys of the Controller touch panel & remote controller**

1. B/PU: slow animation blue/purple
2. G/YE: slow animation green/yellow
3. B/CY: slow animation blue/cyan
4. RAINBOW: slow animation in green/blue/cyan/yellow/purple/RGB/red
- 5 Disco: fast animation, (fast-slow) followed by program 5.
6. Four Seasons: slow animation in red/green/blue/cyan/yellow/purple/RGB, followed by yellow/green/cyan/blue/purple/red.
7. PARTY: fast animation, (fast-slow) followed by program 6
8. W: mix white (red+green+blue)
9. R: fixed color red
10. G: fixed color green
11. B: fixed color blue
12. CY: fixed color cyan (green+blue)
13. YE: fixed color yellow (red+green)
14. PU: fixed color purple (blue+red)
15. BRI+: increase the brightness
16. BRI-: decrease the brightness
- 17/18. ON / OFF: turn on / off

## **5. SAFETY WARNINGS:**

The persons who are in charge of installation should have the required qualifications for this type of work.

Avoid making contact with the electric voltage.

Comply with the current standards regarding accident prevention.

IEC 364-7-702 standards must be observed: WIRING IN BUILDINGS, SPECIAL WIRING, SWIMMING POOLS.

Do not handle any electrical components with wet feet.