

Instruction Manual for LED Underwater Light Housing



INTRODUCTION

Thank you for the purchase of our quality product. Used carefully and in accordance with the instructions set out below. Please read and keep these instructions for future reference.

PRECAUTIONS SECURITY

1. This lamp is designed to be used only once. Should it become defective, repair is impossible, and replacement is necessary.
2. Do not manipulate any electrical component with wet feet.
3. It serves the previous installation. Only requirement that a sealed 12V transformer is suitable for swimming pools.
4. In the electrical pre-installation use materials suitable for swimming pools.
5. It is important to respect the polarity of the electric cable.
6. Do not use electronic transformers that could damage the product. An industrial frequency transformer: a toroidal transformer or a square transformer should be used.
7. The people who are in charge of the installation must have the qualifications required for this type of work.
8. Avoid contact with electrical voltage.
9. Comply with current regulations regarding accident prevention.
10. The replacement must be done with the lamp disconnected from the electrical power.
11. The manufacturer is not responsible in any case for the assembly, installation or commissioning of any electrical component that has been inserted or manipulated in places other than its own facilities.

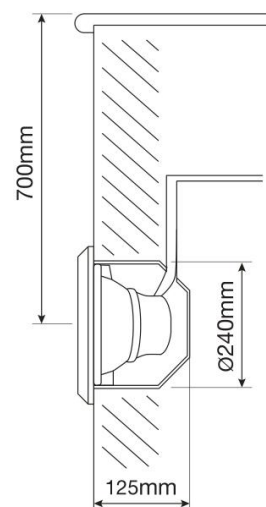
BEFORE INSTALLING

1. Make sure that the previous electrical installation is correctly carried out.
2. In the pre-installation use cable suitable for swimming pools.
3. Use watertight connection products. It is advisable to use the waterproof connectors.
4. Make sure that a 12V transformer suitable for swimming pool is installed before placing the surface projector.
5. Take care to leave the two meters of cable wrapped inside the box, to be able to extract the projector to the edge of the pool to facilitate its manipulation, lamp

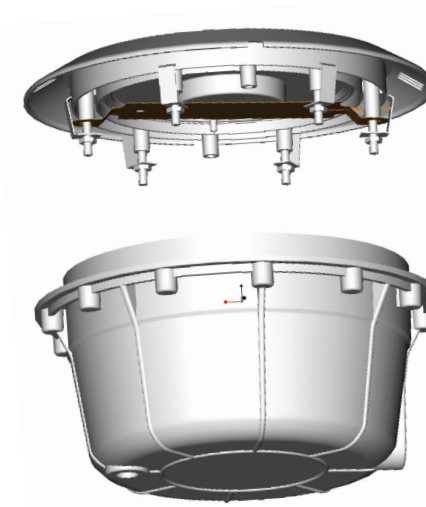
RECOMMENDATIONS

1. To avoid dazzling, projectors directly away from the house of habitual viewing of the swimming pool, are installed.
2. If the light is used in competition or training pool the projectors should be installed at sides in order to avoid dazzling swimmers during evening training.
3. Bearing in mind the possibility of having to change a bulb, the projector should be installed in an accessible place, either from the upper edge of the pool or from the lower part of same. We recommend installation on the upper part in order to avoid emptying the pool when having to change the bulb.
4. The excess cable can be wound on the inside of the projector

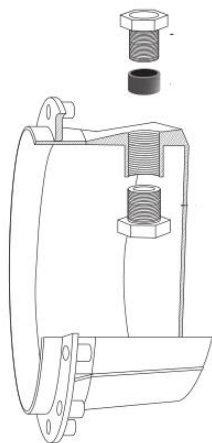
General location measures



Assembly overview

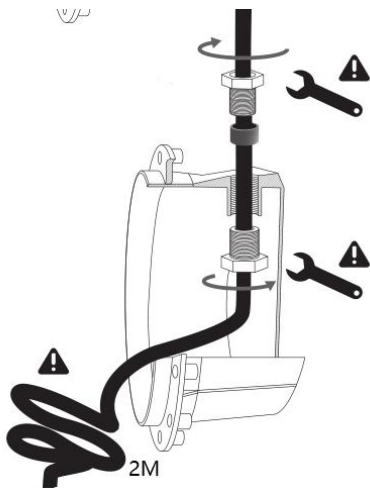


Fix the cable

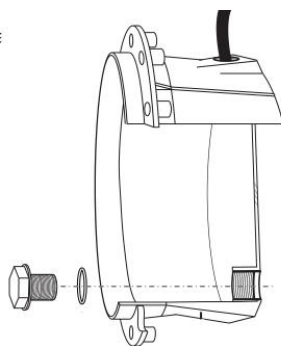


Screw until the assembly is fixed

Leave the two meters of free cable



Put the stopper



Install PAR56 lamp

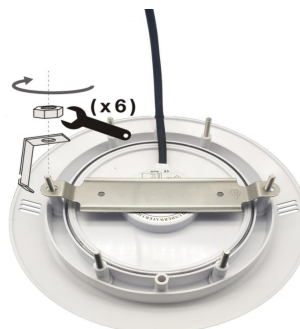
1.



2.



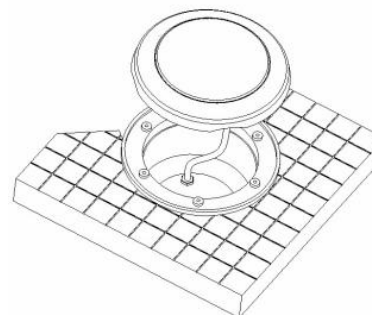
3.



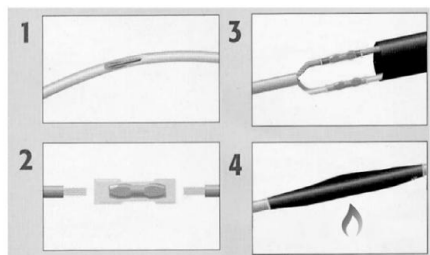
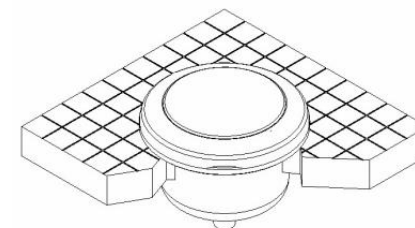
4.



5.

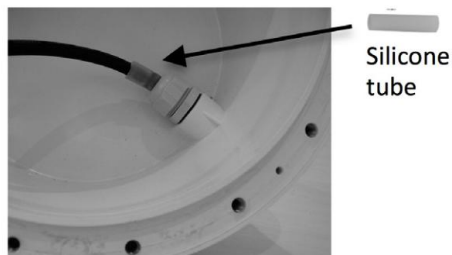


6.



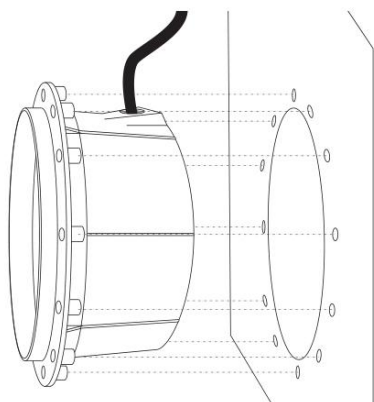
If old cable is re-used

OR



If new (thinner) cable is used

Recessed the watertight box



Note: The installation material is not included

Problem	Cause	Solution
It does not work	It is not connected to a 12V AC electrical connection.	Connect it to a 12V AC safety transformer.
	An electric transformer is being used.	Replace the transformer for a conventional safety pool.
Low light or flashing	Possible excessive voltage drop through the cable.	In multi-voltage transformers, select an appropriate voltage output or compensate the voltage drop with a larger cable.
	Thermal protection against over temperatures has been activated.	Check that the cooling holes of the projector are clear of obstacles.