

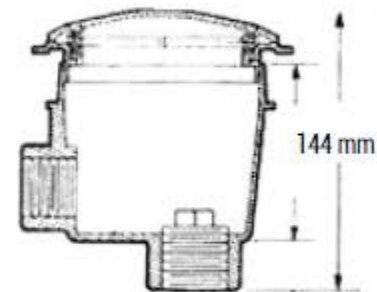
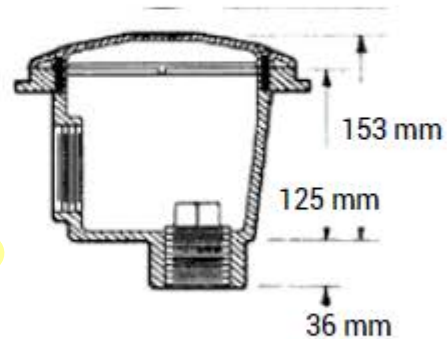
Anti-entrapment - Main drain Hayward®	Concrete Item	Vinyl Item
1.5" Hayward® Main drain	WG1051AVE	WG1048AVE
2" Hayward® Main drain	WG1054AVE	WG1049AVE
Hayward® Main drain	WG1154AVE	-
1" adjustable collar for SP1054 main drain	WG1154AVE	-



WG1048AVE



WG1049AVE



WG1154AVE