



30-80 M³

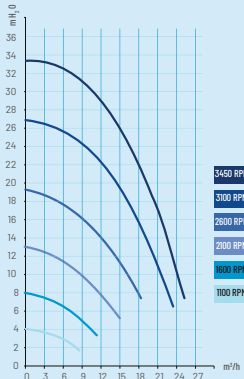


VS2 DISPLAY



LA STA-RITE VS2

The Industry standard and classic from Pentair for compact pools.



FEATURES

- High head impellers
- Stainless steel locking clamp and XL pre filter basket
- Oversized and robust motor

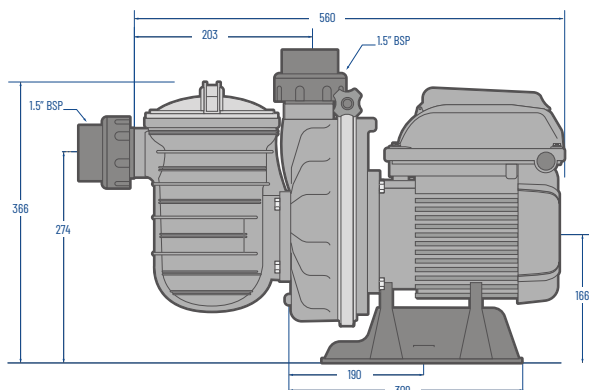
BENEFITS

- Ideal for applications where control room is far from pool
- Quick maintenance and longer periods between cleaning
- Extremely reliable and efficient pump

TECHNICAL FEATURES

- Oversized 3hp asynchronous motor derated to 1.5hp to deliver high efficiency even at high speed
- 3 programmable speed/time + override
- Simple and intuitive LCD display with Watts, RPM & time info
- 4 digital inputs for external control (optional communication cable - PN. 356324Z)
- Inlet/Outlet → 1.5" BSP
- Ø Unions → 50 mm ID
- Unions included → Yes
- Salt resistancy → 0.40%

Part Number	Flow m ³ /h @ 8 m	Power output (kW)	(HP)	Volt (V)	Phase	Width (mm)	Length (mm)	Weight (Kg)	List Price (€ VAT excl)
P-STR-VS2	-	1.1	1.5	220-240	1~	288	560	22.6	1099



Packaging	Length (cm)	Width (cm)	Height (cm)	Pallet
Box	79	37	43	-
Pallet	120	80	150	9