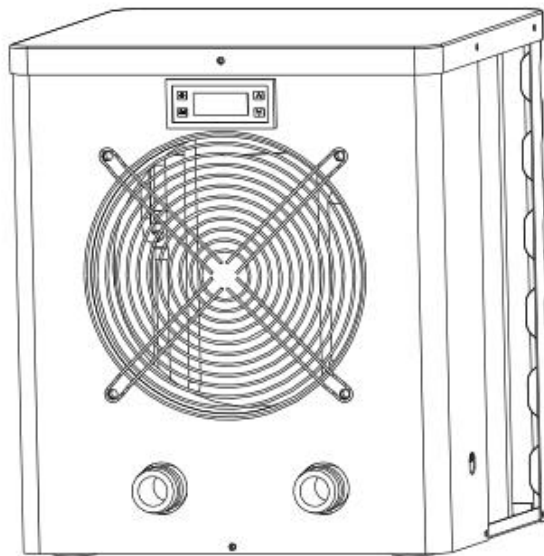


# Swimming Pool Heat Pump

## Installation and User Manual



Models:

7024509 Eco heat pump Plug & Play Type A3/32

7029403 Eco heat pump Plug & Play Type A5/32

---

## CONTENT

<b>INTRODUCTION.....</b>	<b>2</b>
<b>SAFETY INSTRUCTIONS.....</b>	<b>3</b>
<b>DIMENSIONS.....</b>	<b>5</b>
<b>EXPLODED VIEW.....</b>	<b>6</b>
<b>INSTALLATION.....</b>	<b>8</b>
<b>CONTROLLER.....</b>	<b>9</b>
<b>PARAMETER CHECKING AND ADJUSTMENT.....</b>	<b>10</b>
<b>WIRING DIAGRAM.....</b>	<b>12</b>
<b>SPECIFICATIONS.....</b>	<b>14</b>



READ THIS MANUAL CAREFULLY BEFORE STARTING UP THE UNIT. DO NOT THROW IT AWAY. KEEP IT IN YOUR FILES FOR FUTURE REFERENCE.



BEFORE OPERATING THE UNIT, MAKE SURE THE INSTALLATION HAS BEEN CARRIED OUT CORRECTLY BY A PROFESSIONAL DEALER. IF YOU FEEL UNSURE ABOUT OPERATION, CONTACT YOUR DEALER FOR ADVICE AND INFORMATION

---

## INTRODUCTION

### This manual

This manual includes the necessary information about the products. Please read this manual carefully before you use and maintain the product.

### The unit

The swimming pool heat pump is one of the most economical systems to heat the swimming pool efficiently. Using the free renewable energy from the air and the earth, it delivers up to five times more energy in heating than the traditional heating systems such as gas boiler and electric heater. So you will save 4/5 costs of the traditional heating. The swimming pool heat pump can lengthen your swimming season, and gives you comfort at high level. You will enjoy swimming not only in summer, but also in spring, autumn and even winter time.

### Features

#### ✧ **Ecological and economical heating**

Using the renewable energy from the outdoor air, it consumes less energy with low carbon emission. Use advanced environmental friendly refrigerant R32 without destroying on Ozone.

#### ✧ **Titanium heat-exchanger**

Advanced titanium heat-exchanger guarantees long life spans of heat pump free from corrosion and rust. By using of titanium heat-exchanger, the heat pump could be applied with all types of water treatment such as chlorinate, iodine, bromine and salt water.

#### ✧ **Multiple functions**

- Heating functions available;
- Auto operating, Auto-restart;
- Timer on/off: no human attendance is required;
- Wide ambient running range: 7°C to 43°C.

#### ✧ **Reliable operation**

To guarantee the stable running and the safety of the products, multiple protection devices have been set into the pool heat pumps which include water flow protection, high and low pressure protections, overload protection, etc.

#### ✧ **Safe using**

The swimming pool heat pump works without oil, gas or other hazardous substance. So adopting heat pump to heat your swimming pool, it can avoid potential risk. Moreover there are no gas connections, and fuel tank is also no need. No risk of intoxication, smell or pollution because of gas and fuel leakage.

#### ✧ **Self-diagnosis**

When there is malfunction, the swimming pool heat pump will make self-diagnosis

---

automatically and will display error code in the controller screen. The code could be found at a glance.

## **SAFETY INSTRUCTIONS**

To prevent injury to the user, other people, or properties damage, the following instructions must be followed. Incorrect operation due to ignoring of instructions may cause harm or damage.

Install the unit only when it complies with local regulations, by-laws and standards. Check the main voltage and frequency. This unit is only suitable for earthed sockets, connection voltage 220 - 240 V~, 1Ph, 50Hz.

The following safety precautions should always be taken into account:

- Be sure to read the following **WARNING** before installing the unit.
- Be sure to observe the **CAUTIONS** specified here as they include important items related to safety.
- After reading these instructions, be sure to keep it in a handy place for the future reference.

### **WARNING**

#### **Do not install the unit by yourself.**

Incorrect installation could cause injury due to fire, electric shock, the unit falling and leakage of water. Consult the dealer from whom you purchased the unit or a specialized installer.

#### **Install the unit securely in a place.**

When insufficiently installed, the unit could fall causing injury. When installing the unit in a small room, please take measures (like sufficient ventilation) to prevent the asphyxia caused by the leakage of refrigerant.

#### **Use the specified electrical wires and attach the wires firmly to the terminal board (connection in such a way that the stress of the wires is not applied to the sections).**

Incorrect connection and fixing could cause a fire.

#### **Be sure to use the provided or specified parts for the installation work.**

The use of defective parts could cause an injury due to possible fire, electric shocks, the unit falling etc.

#### **Perform the installation securely and please refer to the installation instructions.**

Incorrect installation could cause an injury due to possible fire, electric shocks, the unit falling,

leakage of water etc.

**Perform electrical work according to the installation manual and be sure to use a dedicated section.**

If the capacity of the power circuit is insufficient or there is an incomplete electrical circuit, it could result in a fire or an electric shock.

**The unit must always have an earthed connection.**

If the power supply is not earthed, you may not connect the unit.

**Never use an extension cable to connect the unit to the electric power supply.**

If there is no suitable, earthed wall socket available, it should be installed by a recognized professional electrician.

**Do not move and repair the unit by yourself.**

Before proceeding with any maintenance, service or repairing work, the product must be isolated from the mains electrical supply. Only qualified personnel could carry out these tasks. Improper movement or repairing the unit could lead to water leakage, electrical shock, injury or fire.

**CAUTION** 

**Do not install the unit in a place where there is a chance of flammable gas leaks.**

If there is a gas leak and gas accumulates in the area surrounding the unit, it could cause an explosion.

**Perform the drainage/piping work according to the installation instruction.**

If there is a defect in the condensing water drainage or water pipes, water could be leaked from the unit and household goods could get wet and be damaged.

**Do not clean the unit when the power is switched on.**

Always **shut off** the power when cleaning or servicing the unit. If not, it could cause an injury due to the high speed running fan or an electrical shock.

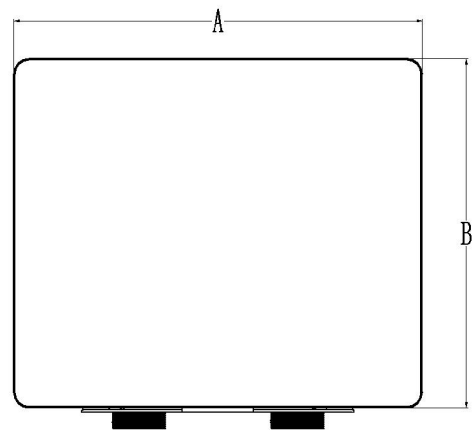
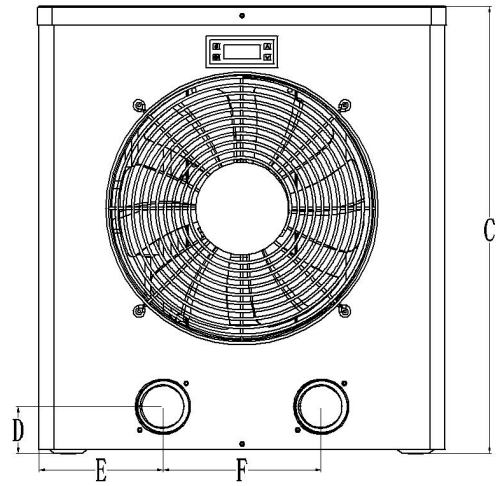
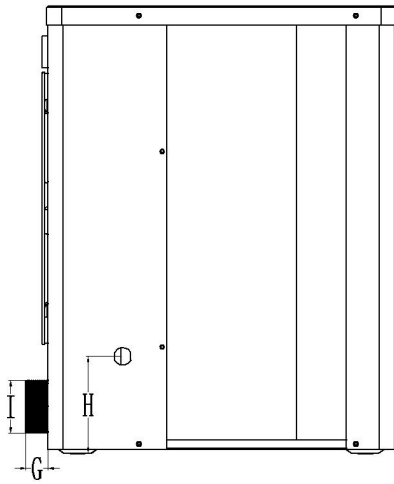
**Do not continue to run the unit when there is something wrong or there is a strange smell.**

The power supply needs to be **shut off** to stop the unit; otherwise this may cause an electrical shock or fire.

**Do not put your fingers or others into the fan, or evaporator.**

The ventilator runs at high speed, it could cause serious injury.

## DIMENSIONS

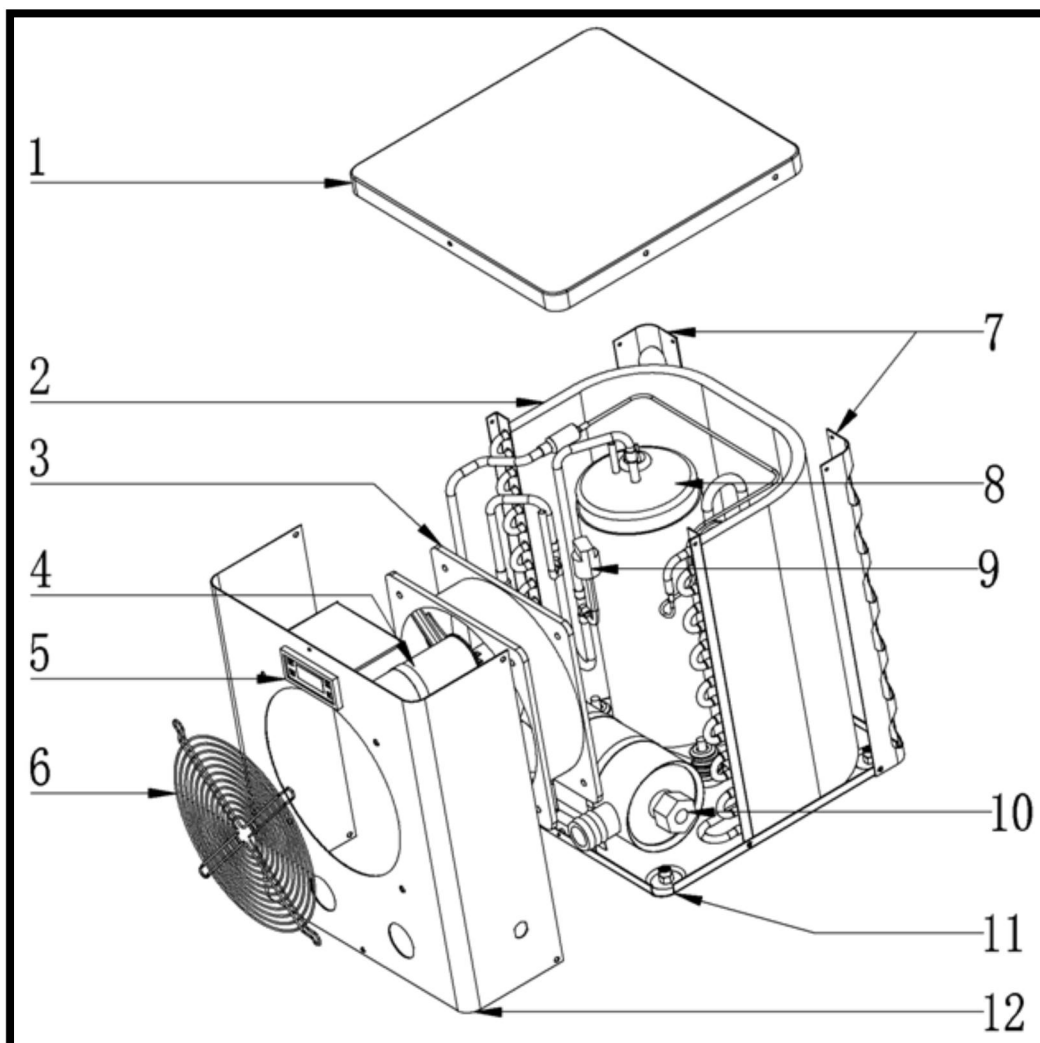


(Unit: mm)

Model	A	B	C	D	E	F	G	H	I
<b>A3/32</b>	310	300	358	49	104	116	25	60	DN32
<b>A5/32</b>	439	375	480	50	133	170	24	100	DN32

## EXPLODED VIEW

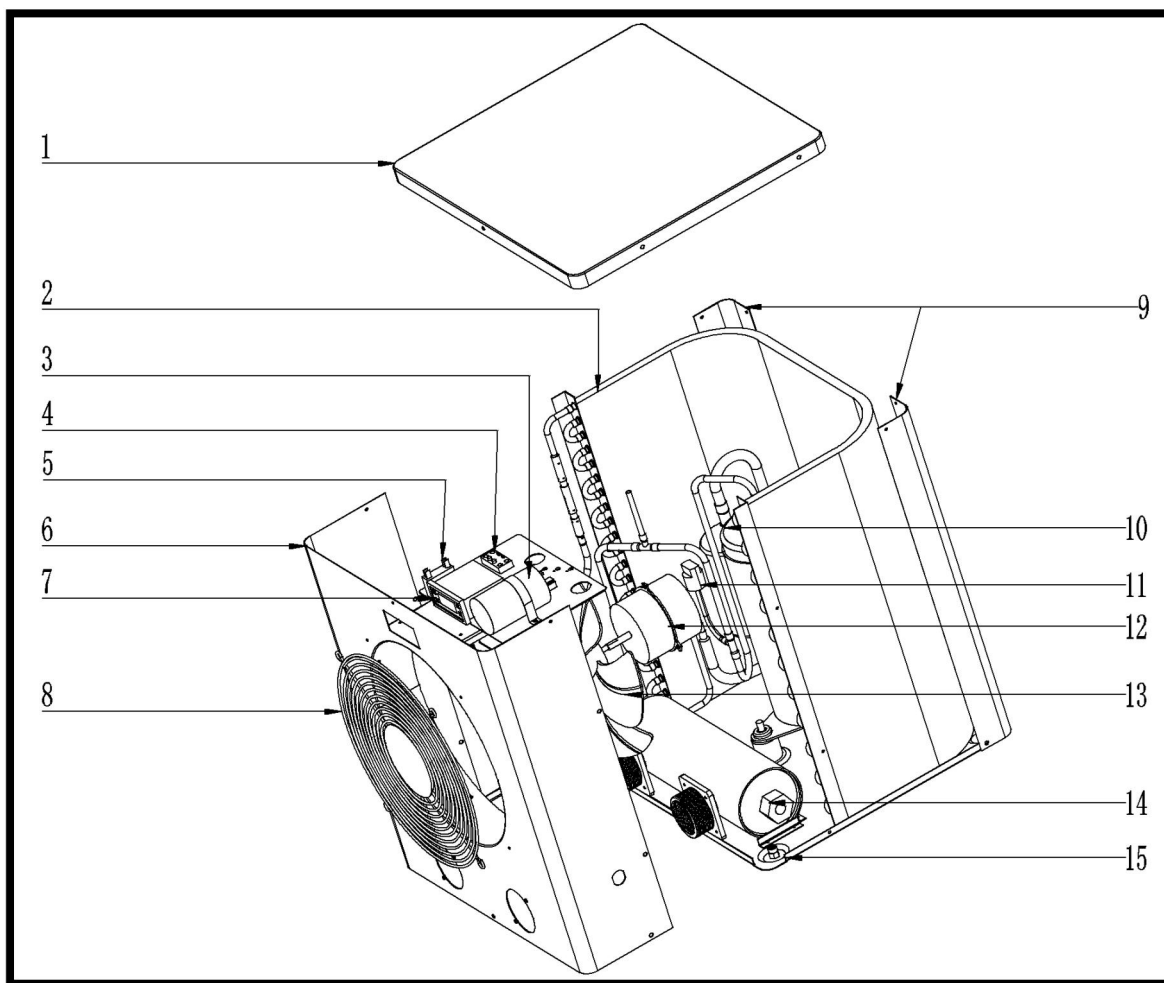
Model: A3/32



No.	Name	Qty
1	Top cover	1
2	Condenser	1
3	Whole machine fan	1
4	Compressor capacitance	1
5	Wire controller	1
6	Air outlet grill	1

No.	Name	Qty
7	Rear pillar	1
8	Compressor	1
9	Pressure switch	1
10	Titanium heat-exchanger	1
11	Foundation assembly	1
12	Front panel	1

**Model: A5/32**



No.	Name	Qty
1	Top cover	1
2	Condenser	1
3	Compressor capacitor	1
4	Terminal	1
5	Fan capacitor	1
6	Front panel	1
7	Wire controller	1
8	Grill	1

No.	Name	Qty
9	Rear pillar	1
10	Compressor	1
11	High Pressure Switch	1
12	Fan	1
13	Fan blade	1
14	Titanium heat-exchanger	1
15	Chassis	1



---

## INSTALLATION

### Installation information

The following information given here is not an instruction, but simply meant to give the user a better understanding of the installation.

### Installation place

Install the swimming pool heat pump on a flat, horizontal, and stable surface. Maintain 1m of open space in front of the grille and 3m on the outlet side of the ventilator. And reserve enough space to allow access to operate controller.

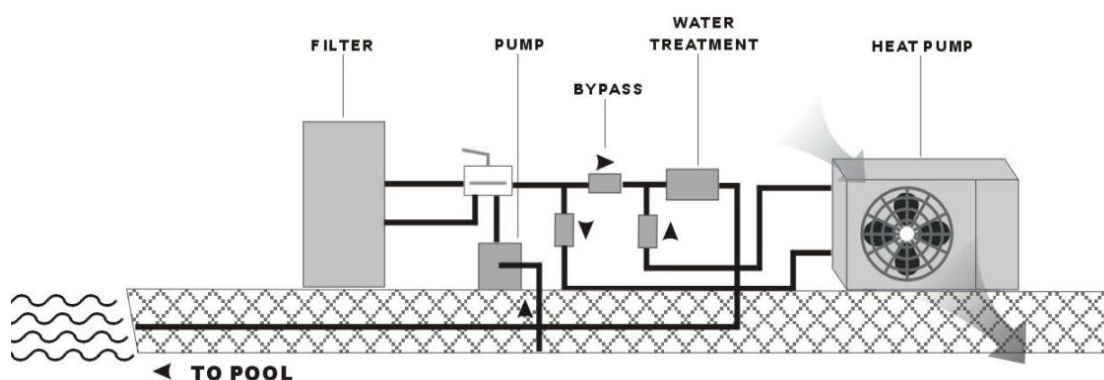
Make sure that the outlet air will not be breathed in.

### To perfect your installation

- Avoid directing the flow of ventilated air towards a sensitive noise zone, such as room's window.
- Avoid positioning pool heat pump on a surface that can transmit vibrations to dwelling.
- Try to avoid placing appliance under a tree or exposed to water or mud, which would be likely to complicate maintenance.

### Water connection

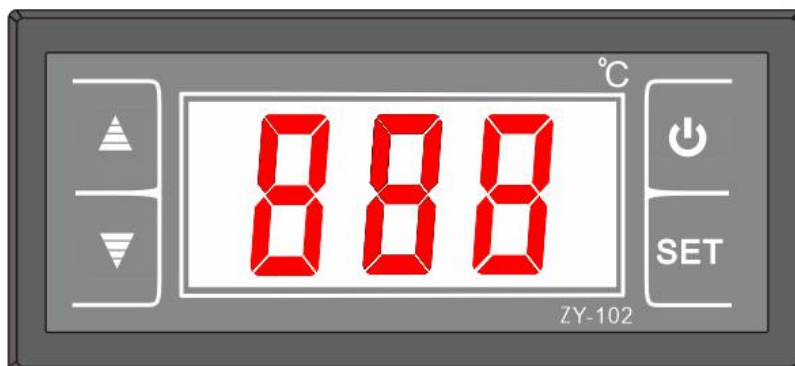
- ✧ The heat pump is connected to a filtration circuit with a by-pass.
- ✧ It is imperative that the by-pass is placed after the pump and the filter.
- ✧ The by-pass generally consists of 3 valves.
- ✧ This makes it possible to regulate the water flow which passes through the heat pump and to isolate the heat pump completely for any maintenance work, without cutting the flow of filtered water.




If your installation is equipped of the water treatment with product adductions (e.g. chlorine, brominates, salt...) the by-pass must be installed before the water treatment, with a non-return valve between the by-pass and water treatment.

## CONTROLLER

### Display and Operation Surface




### Definitions

No.	Symbol	Function	Description
1		Unit power on/off	In normal working status, hold this key for 5s to power off the unit. In power-off status, hold this key for 5s to enter normal working status of the unit. In setting or query interface, press this key to exit the interface and store corresponding parameters.
2	SET	Confirmation Record query	1. On the home screen, press this key to enter the status parameter query interface. Hold this key for over 5s to enter the parameter setting interface. 2. In the parameter query interface, press this key to set parameters. 3. In the parameter setting interface, press this key to confirm the setting and return to the upper-level menu.
3	UP	Parameter value increase; Menu item switch	1. On the home screen, press this key to increase SPT. 2. In the parameter query interface, press this key to switch to the previous parameter. 3. In the parameter setting interface, press this key to increase the parameter value.
4	DOWN	Parameter value decrease; Menu item switch	1. On the home screen, press this key to decrease SPT. 2. In the parameter query interface, press this key to switch to the next parameter. 3. In the parameter setting interface, press this key to decrease the parameter value.

Note: The system exits to the home screen if no key is pressed within 10s in the parameter query or setting interface. Any parameter change will be automatically saved.

### SPT setting

On the home screen (on/off status), press "UP" and "DOWN" to adjust the set temperature SPT.

Press " " to exit SPT setting with the configuration saved.

The adjustable range of SPT is determined by the lower temperature limit (SPTL) and upper temperature limit (SPTH).

No.	Parameter	Function	Value Range	Default Value
1	SPT	Target temperature control	{SPTL,SPTH}	25

### Parameter query

Press "SET" to enter the parameter query interface, and press "UP" and "DOWN" to check parameters.

No.	Parameter	Description
1	Return water temperature	Outdoor ambient temperature; -30°C to +70°C
2	Ambient temperature	Condenser pipe temperature; -30°C to +70°C
3	Load startup signal	Value "0" indicates load disabled, while value "1" indicates load enabled.

## PARAMETER CHECKING AND ADJUSTMENT

### Parameter setting

Hold "SET" to enter the parameter setting interface. The first "x" starts to blink. You can press "UP" and "DOWN" to set this parameter and then press "SET" to confirm and exit to the parameter query interface. The first "x" stops blinking. Below is the parameter list.

No.	Parameter	Description	Value Range	Default Value
1	Operating mode	Unit operating mode setting	C: Cooling H: Heating	H
2	Hysteresis temperature (De)	Hysteresis temperature setting	1°C to 15°C	3°C
3	SPTL	Lower temperature limit setting	-30°C to SPTH	10°C
4	SPTH	Upper temperature limit setting	SPTL to 70°C	40°C
5	Load minimum downtime (DT)	Setting of minimum shutdown delay before load is enabled	1min to 15min	3min
6	T2 enable	Enabling T2 sensor	0: Disable; 1: Enable	0
7	T1C	T1 sensor calibration	-9°C to +9°C	0°C
8	T2C	T2 sensor calibration	-9°C to +9°C	0°C
9	T2LS	T2 under-temperature value	3°C to 20°C	7°C
A	Power failure memory	Power failure memory validity	0: Invalid; 1: Valid	1

---

## Protection Functions

### T2 under-temperature protection

In heating mode, if T2 is detected equal to or lower than T2LS (7°C) for consecutive 5s, T2 under-temperature protection will be reported. The unit will not start if there is no load, and will stop load output if it is already started.

When T2 is higher than T2LS plus 2 degrees, the protection is automatically removed. Shutting down or switching the mode to cooling will clear this protection.

### T1 sensor fault

If the thermostat detects that T1 is higher than 99°C for consecutive 5s, the fault of T1 sensor short-circuit is reported. If T1 is detected lower than -40°C for consecutive 5s, the fault of T1 sensor open-circuit is reported. In either case, the load automatically stops running.

The fault automatically recovers. Shutting down or mode switching cannot clear the fault.

### T2 sensor fault

When T2 sensor is disabled, the corresponding control logic and troubleshooting are invalid.

If the thermostat detects that T2 is higher than 99°C for consecutive 5s, the fault of T2 sensor short-circuit is reported. If T2 is detected lower than -40°C for consecutive 5s, the fault of T2 sensor open-circuit is reported. In cooling mode, the alarm is generated but the fault is not rectified. In heating mode, the unit is stopped for troubleshooting.

The fault automatically recovers. Except disabling T2 sensor, shutting down or mode switching cannot clear the fault.

### Fault Codes

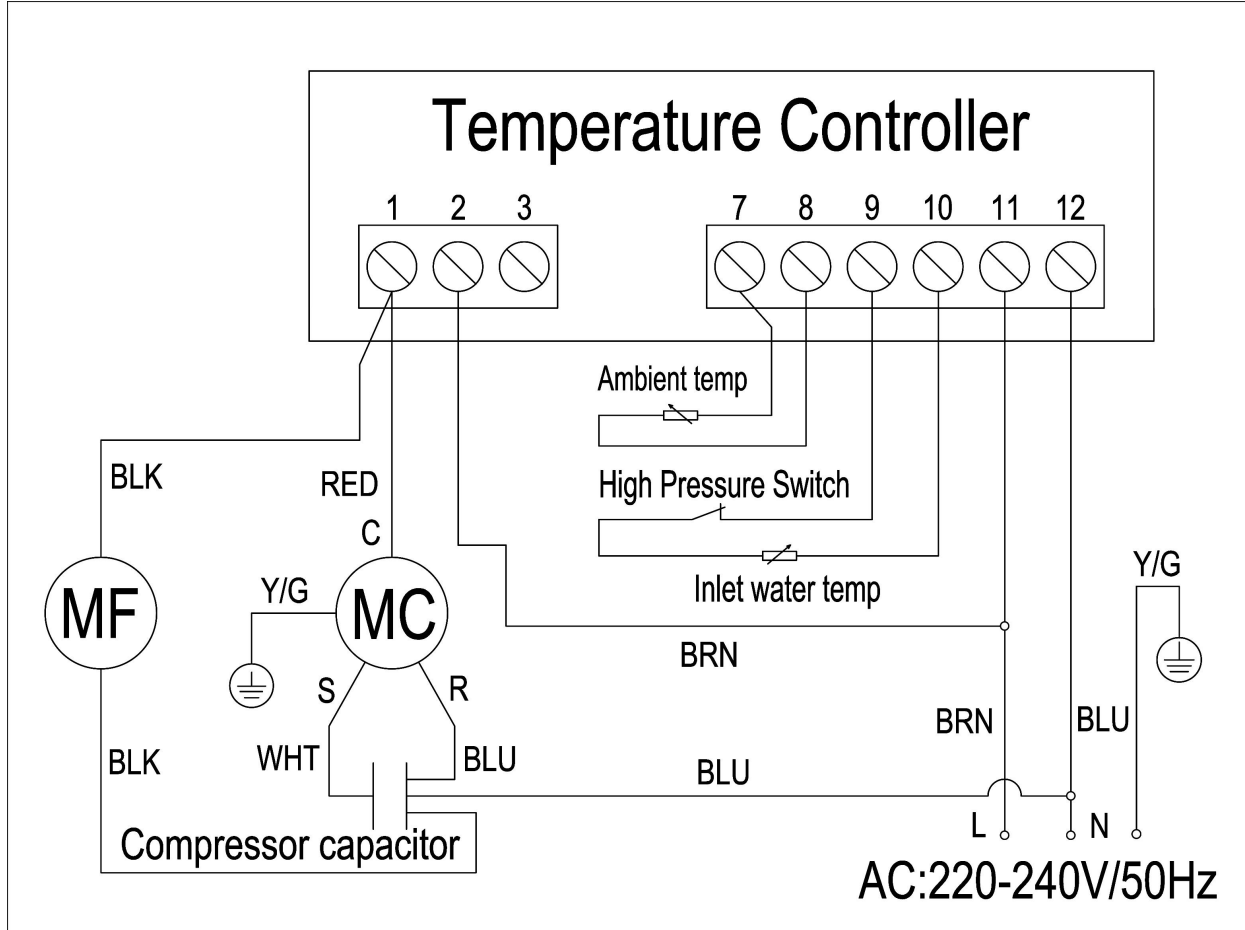
No.	Fault Code	Fault Description
1	E0	T2 under-temperature protection
2	E1	T1 sensor short-circuit fault
3	E2	T1 sensor open-circuit fault
4	E3	T2 sensor short-circuit fault
5	E4	T2 sensor open-circuit fault
6	E5	Thermostat hardware fault

**Attention:** The above codes can also be used to represent low voltage faults, because low voltage switches and temperature sensors are connected in series, this situation may be caused by refrigerant leakage. It is necessary to find professional maintenance personnel.

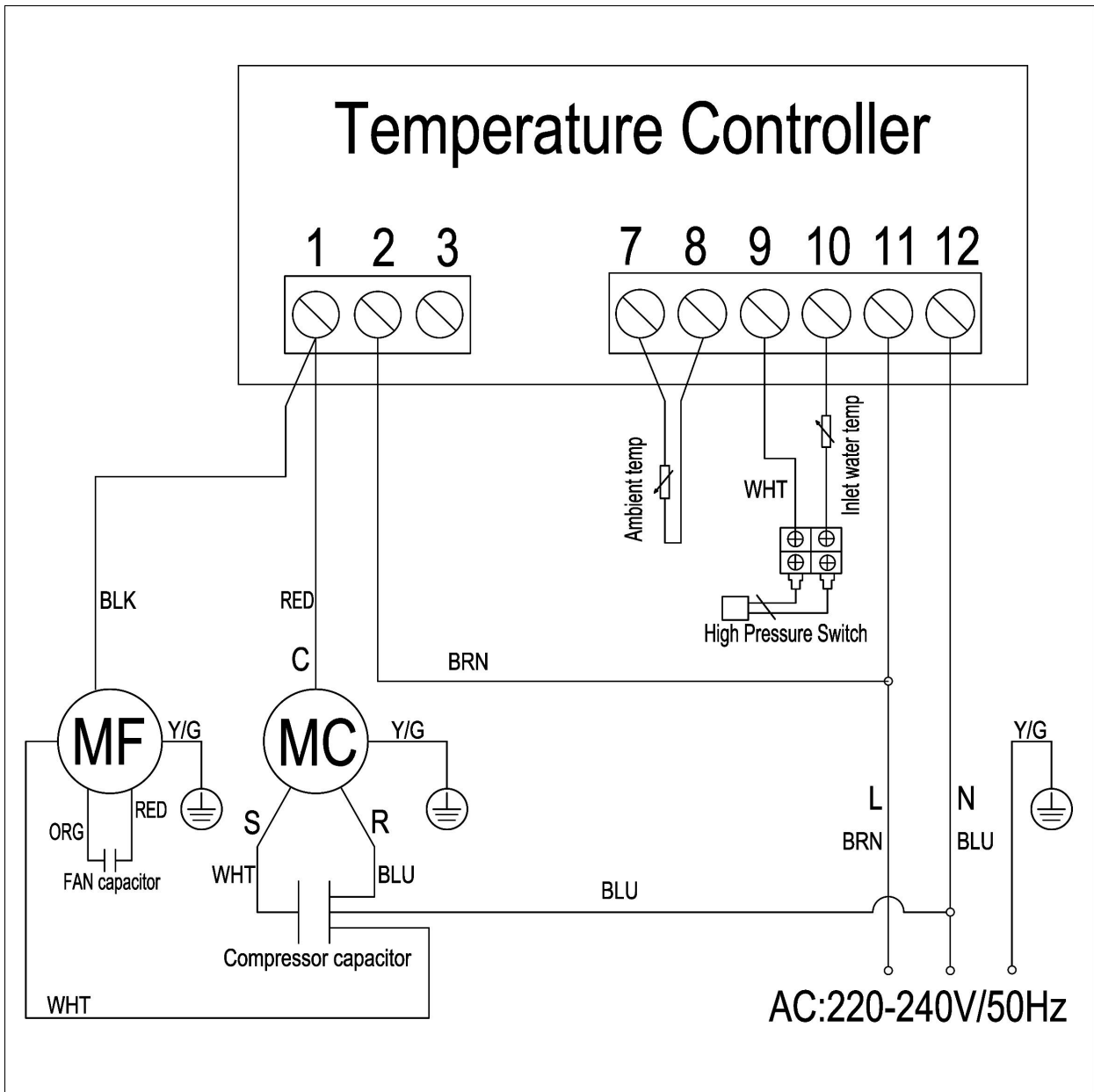
## WIRING DIAGRAM

Please refer to the wiring diagram on the electric box.

A3/32



A5/32



## SPECIFICATIONS

Model		A3/32	A5/32
Air temperature: 15°C DB/12°C WB, water inlet/outlet temperature: 26°C/28°C			
Heating capacity	kW	2.20	3.40
Power input	kW	0.61	0.95
COP		3.61	3.58
Air temperature: 26°C DB/23.5°C WB, water inlet/outlet temperature: 26°C/28°C			
Heating capacity	kW	3.10	4.50
Power input	kW	0.68	1.12
COP		4.041	4.41
Power supply		220 - 240V~, 1Ph, 50Hz	
Max power input	kW	0.95	1.3
Max current	A	4.7	5.9
Setting temperature range		15°C - 40°C	
Running temperature range		7°C - 43°C	
Refrigerant type/charged		R32/0.3kg	R32/0.4kg
Compressor	Brand		GMCC
	Input	kW	0.790
Air side heat-exchanger		Hydrophilic aluminum & Inner groove copper tube	
Fan motor	Fan type		Axial
	Fan size	mm	Φ200×200×60
	Motor output	W	60
Water side heat exchanger		Titanium heat-exchanger with PVC casing	
Advised water flow	m <sup>3</sup> /h	2.0	2.0
Net dimension (L×D×H)	mm	310×300×358	439×397.5×480
Packing dimension (L×D×H)	mm	371×350×386	539×442×534
Net weight	kg	20	28
Gross weight	kg	22	31
Noise level (@10m)	dB(A)	< 23	< 33
Water proof level		IPX4	

Notes:

The specification may be changed for product improvement, please refer to the nameplate of product.

# Recycling

## ENVIRONMENTAL INFORMATION

This equipment contains fluorinated greenhouse gases covered by the Kyoto Protocol. It should only be serviced or dismantled by professional trained personnel.

This equipment contains R32 refrigerant in the amount as stated in the specification. Do not vent R32 into the atmosphere: R32, is a fluorinated greenhouse gas with a Global Warming Potential (GWP) = 675.

## DISPOSAL REQUIREMENTS

Dismantling of the unit, treatment of the refrigerant, of oil and of other parts must be done in accordance with relevant local and national legislation.



Your product is marked with this symbol. This means that electrical and electronic products shall not be mixed with unsorted household waste.

Do not try to dismantle the system yourself: the dismantling of the system, treatment of the refrigerant, of oil and other parts must be done by a qualified installer in accordance with relevant local and national legislation.

## YOU HAVE THREE SOLUTIONS:

1. Disposing of it at your local recycling centre
2. Giving it to a social service organization for it to be repaired and put back into circulation.
3. Returning it to the heat pump distributor against a new purchase.