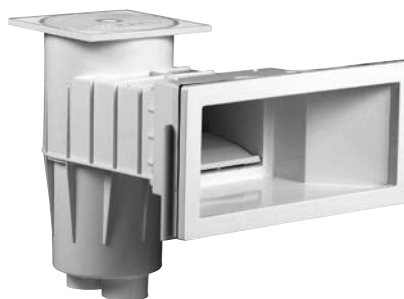


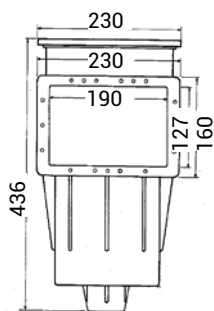
# Skimmer - Cofies



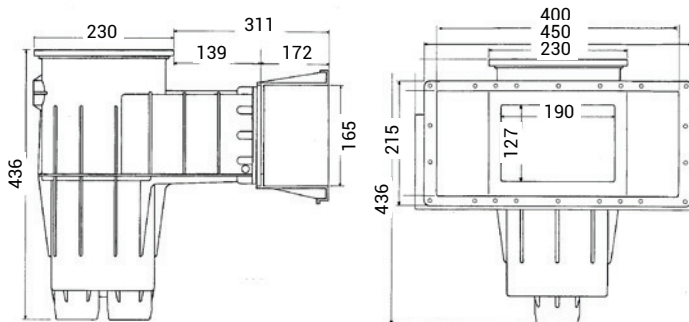
3111



3119



Skimmer dimension - small track 3111



Skimmer dimension - wide track 3119

PREMIUM COFIES  
SKIMMER

| Description               | Feed-through size | Concrete Item | Vinyl Item | Accessory |
|---------------------------|-------------------|---------------|------------|-----------|
| Small Track Skimmer       | 139 mm            | 3110          | 3111*      | -         |
| Wide Track Skimmer        | 311 mm            | 3118          | 3119*      | -         |
| Extension                 | -                 | SKX16001BE    | SKX16001VE | -         |
| Glue ABS (200 ml) (56 cm) | -                 | -             | -          | 11925     |

\*Available in coloured parts

 See p.67 - Coloured parts