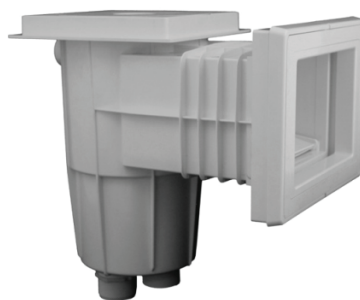


15L. STANDARD SKIMMER

WITH SQUARE COVER

MANUAL INSTALLATION

MODEL: EM0130TS-SV



IMPORTANT: This instruction manual includes essential information on the safety measures to be implemented for installation and start-up. Therefore, the installer as well as the user must read the instructions before starting installation and start-up. Keep this manual for future reference.

1. - 15L. STANDARD SKIMMER:

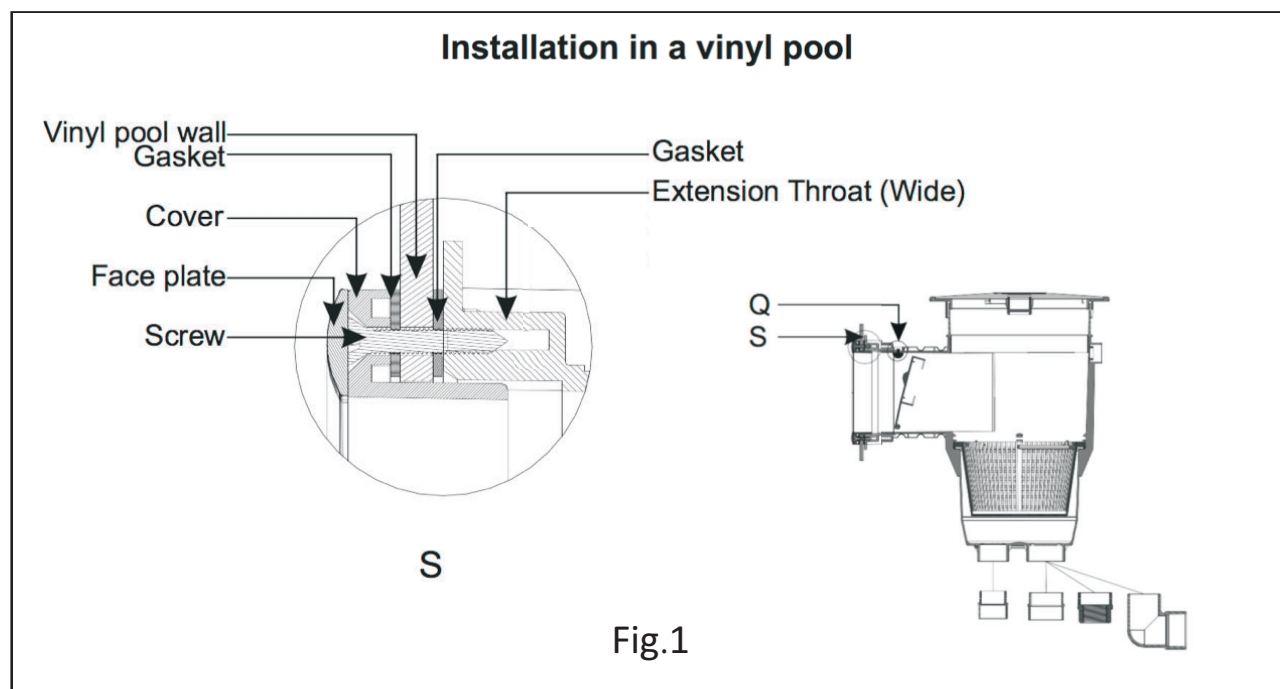
Skimmers are used to eliminate the dirtiness suspended on the surface of the pool. For this reason, when building the pool, it is recommended to install the skimmers so that their mouths facing the prevailing winds.

2. - MODELS AVAILABLE:

	Vinyl pool
Standard Skimmer	EM0130TS-SV

3. - INSTALLATION :

Recommends to install 1 skimmer per 25 m² of pool water surface are, knowing that the skimmer maximum flow rate should not exceed 5 m³/h. Normally, in residential pools, the skimmers are installed along the width of the pool, and in the deepest site. For pools when more than 3 skimmers are required, they can be installed along the length of the pool. The installation must proceed following the fig.1.



Ensure that the pool water level is constant and $\frac{3}{4}$ parts of the skimmer is submerged in the water. This avoids air suction into the circuit that can damage the filtration pump. The cover and the basket from the skimmer are assembled with a bayonet system, so do not pull brusquely upwards, but first turn until the two sides of the cover or basket match with the body, and then pull upwards.

4. - VACUUM SUCTION CONNECTION:

Skimmers can also be used for vacuum cleaning equipment thanks to the vacuum plate provided.

The vacuum plate is placed on the basket of the skimmer, and connect the vacuum hose of the pool cleaner with the hole of the vacuum plate (Fig. 2).

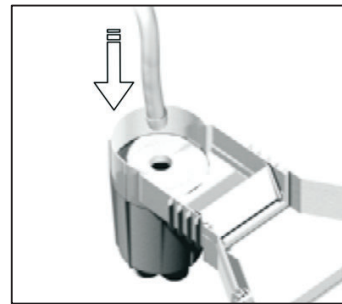


Fig.2

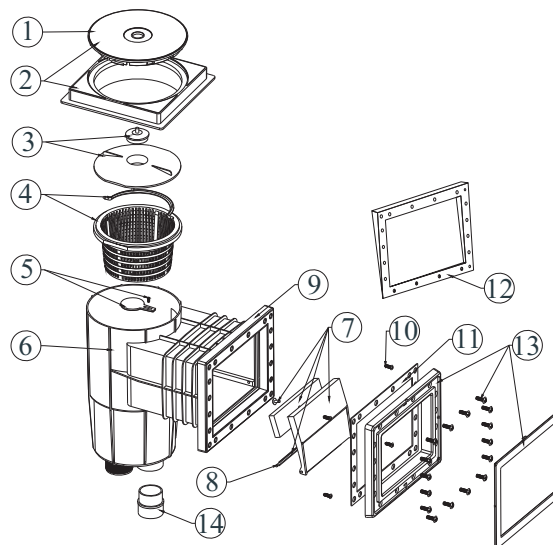
In order to obtain the maximum vacuum efficiency when using the pool cleaner connected to the skimmer, ensure that the main drain valve is close. If more skimmers are installed in the pool, they should be closed off using the flow plug provided.

5. - SAFETY WARNINGS:

The skimmer should be installed by a specialist technician. Do not place chlorine or bromide tablets in the skimmer basket. It is recommended to use products specifically designed to work with ABS.

6. - SPARE PARTS LIST:

POS.	CODE	PRODUCT DESCRIPTION
1	01050158	Skimmer Lid
2	89150701	Square Rim
3	89150702	Vacuum plate with Plug
4	89150703	Skimmer basket
5	89150704	Regulating plug
6	01050167	Skimmer body
7	89150713	Skimmer flap
8	01181077	Hinge flap
9	570485751	Adaptor frame
10	03012105	Screws
11	02021105	Skimmer gaskets for Liner.
12	111040028	6° small skimmer gaskets for liner pool
13	E160546	Small skimmer frame
14	01170009	1.5" conversion Connector



EM0130TS-SV