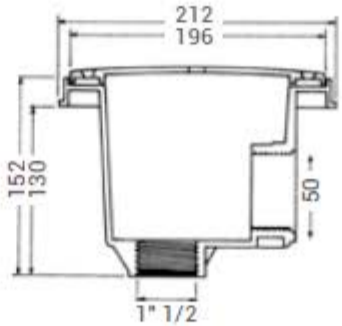


Cofies Main Drains	Concrete Item	Vinyl Item
50 mm Cofies main drain (x 2)	3254PAK2	3255PAK2
2" Cofies main drain (x 2)	3252PAK2	3253PAK2*

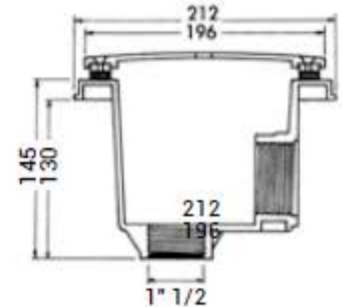
(x 2: to comply with the anti-entrapment standard)  
 \*Available in coloured parts



3254



3252



 See p.67 - Coloured parts