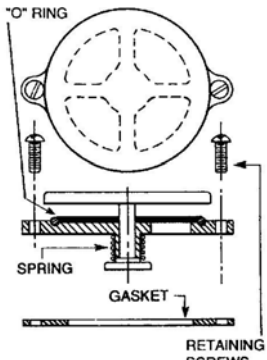


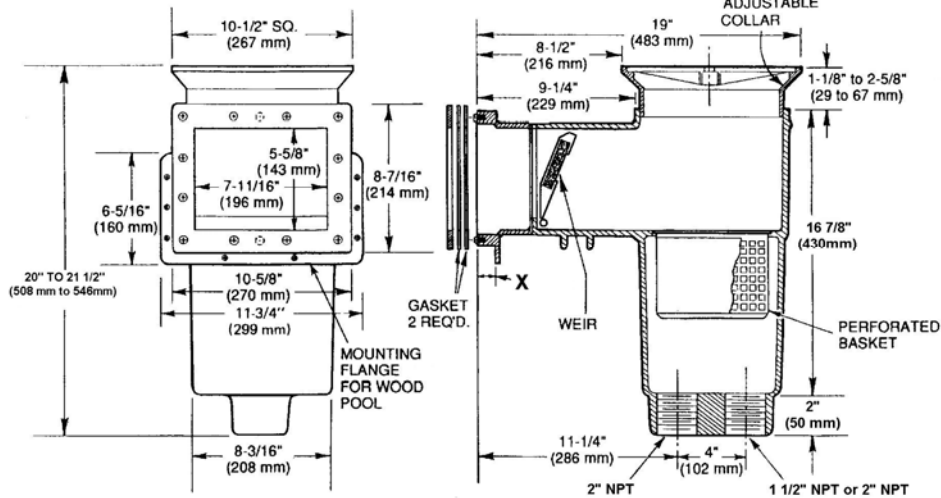
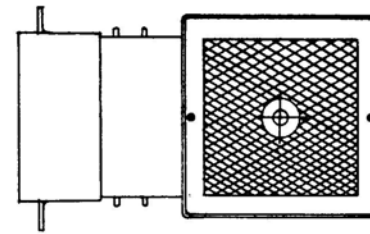


**EQUALIZER VALVE ASSEMBLY
SP1078**

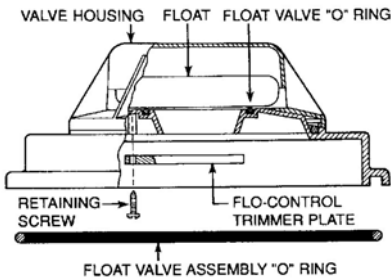


1. Place gasket over equalizer port. (Normally the port closest to the pool.) Align the holes in the gasket with the skimmer body.
2. Place Equalizer Assembly over gasket.
3. Insert the screws through the ear tabs and gasket. Tighten retaining screws.

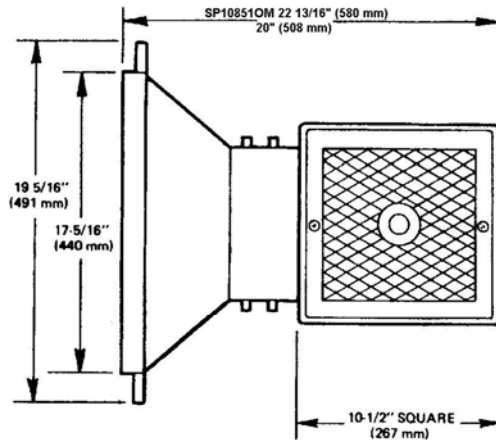
Part No.	"X" Inch
Sp10841	3/4
Sp10841R	3/4
SP10841OM	3/32
SP10841OMR	3/32
SP1084	3/4



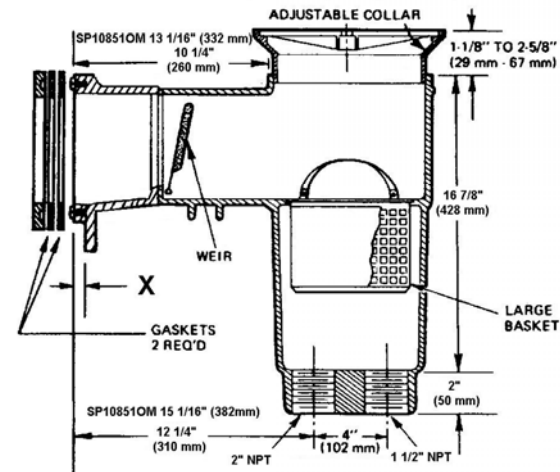
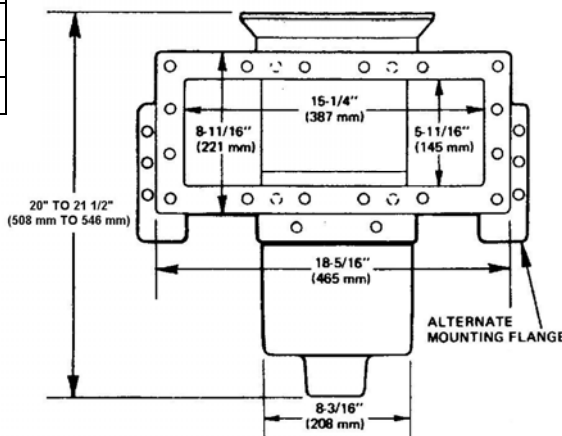
**SKIMMER / SUCTION OUTLET
FLOAT BY-PASS SP1082FV**



1. From body of skimmer remove pipe plug (in installed), screw and Flo-Control Slide Plate (if installed).
2. Using the screw provided, attach the Flo-Control Trimmer Plate to float assembly.
3. Place Float Valve Assembly, assuring the o-ring is in place, into the skimmer. Adjust Flo-Control Trimmer Plate as desired.



Part No.	X inch
SP10851OM	3/32
SP10852	3/4
SP10852OM	3/32



USE ONLY HAYWARD GENUINE REPLACEMENT PARTS