



SINGLE SPEED PUMPS

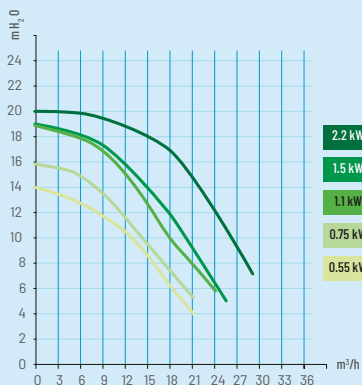


30-80 M³



SUPERMAX[®]

The ideal pump for compact pools.



FEATURES

- XL pre filter basket
- ¼ turn opening lid
- Quick self priming
- One-piece pump body
- Stainless steel inserts
- EPDM mechanical seal



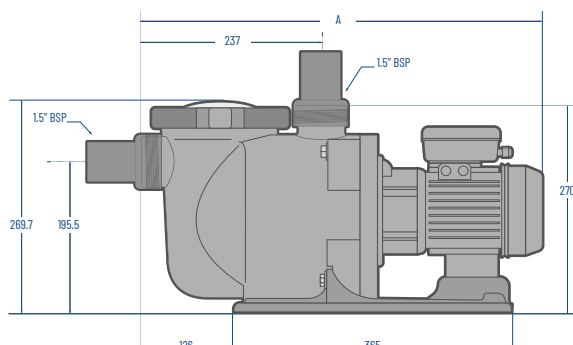
BENEFITS

- Longer periods between cleanings
- Easy opening and locking
- Quick and safe start of the pump
- Super silent
- Excellent resistance to corrosion
- Excellent heat, ozone and aging resistance

TECHNICAL FEATURES

- 100% Made by Pentair in our Pisa, Italy plant
- Induction asynchronous motor
- Bi-material shaft with Stainless Steel AISI 316 drive-end
- SKF high temperature sealed bearings
- Thermal protection (single phase), IE2 compliant (tri-phase <0.75kW), IE3 compliant (tri-phase >0.75kW)
- IP-X5
- Inlet/Outlet → 1.5" BSP tapped
- Ø Unions → 50 mm
- Unions included → Yes
- Salt resistancy → 0.40%

Part Number	Flow m ³ /h @ 8 m	Power output (kW)	(HP)	Volt (V)	Phase	Width (mm)	Length (A) (mm)	Weight (Kg)	List Price (€ VAT excl)
S5PIRC-1P	12	0.37	0.5	220-240	1~	256	560	13.8	479
S5PIRD-1P	15	0.55	0.75	220-240	1~	256	560	14.1	519
S5PIRD-3P	15	0.55	0.75	380-420	3~	256	565	12.5	519
S5PIRE-1P	18	0.75	1	220-240	1~	256	570	14.6	555
S5PIRE-3E3P	18	0.75	1	380-420	3~	256	600	13.2	555
S5PIRF-1P	21	1.1	1.5	220-240	1~	256	570	15.6	625
S5PIRF-3E3P	21	1.1	1.5	380-420	3~	256	600	15.4	625
S5PIRG-1P	23	1.5	2	220-240	1~	256	605	17	701
S5PIRG-3E3P	23	1.5	2	380-420	3~	256	640	17	701
S5PIRH-1P	29	2.2	3	220-240	1~	256	630	23.3	939
S5PIRH-3E3P	29	2.2	3	380-420	3~	256	645	21	1007



Packaging	Length (cm)	Width (cm)	Height (cm)	Pallet
Box	64	32	36	-
Pallet	120	100	150	18