



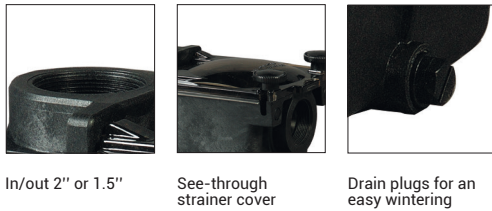
# Super Pump®

YEARS OF WARRANTY



## The original

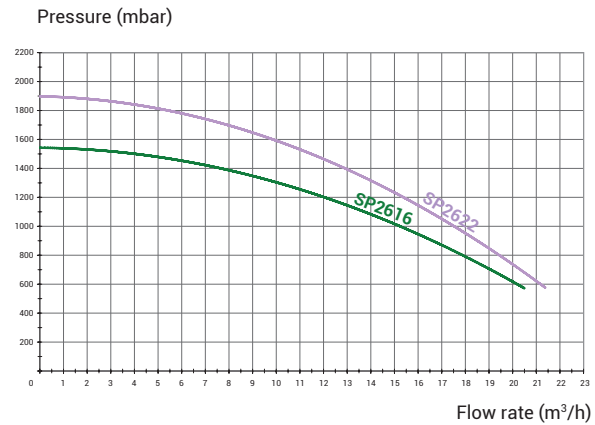
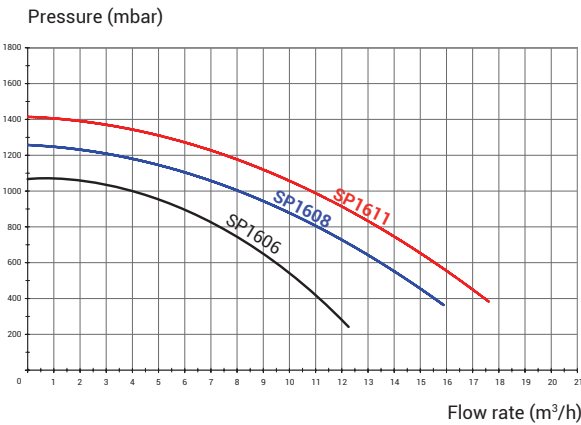
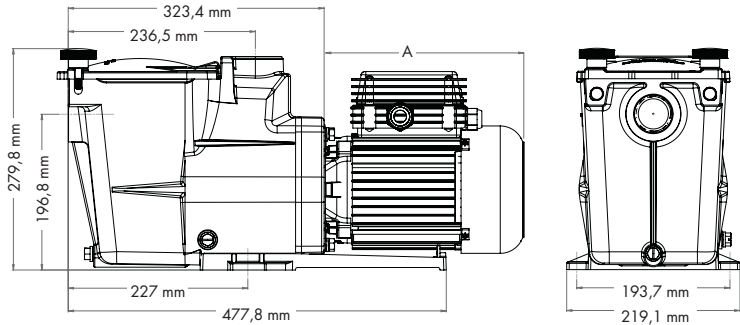
- Proven reliability
- Large strainer basket
- Available with 1.5" or 2" outlets depending on the power
- Suitable for all types of pools up to 90 m<sup>3</sup>
- Ideal for refurbishing pools already fitted with a Super Pump®



In/out 2" or 1.5"

See-through strainer cover

Drain plugs for an easy wintering



	Power (HP)	Dim A	Flow Rate*	In/Out	Weight	Input Power P1	Output Power P2	Amperage	Item.
SUPER PUMP® SINGLE PHASE	1/2 CV	248 mm	7,5 m³/h	1" 1/2	14 kg	720 W	550 W	3,2 A	SP1606XW81
	3/4 CV	248 mm	11 m³/h	1" 1/2	14 kg	800 W	610 W	3,5 A	SP1608XW111
	1 CV	248 mm	13,5 m³/h	1" 1/2	15 kg	890 W	690 W	4,0 A	SP1611XW161
	1,5 CV	273 mm	18 m³/h	2"	15 kg	1 140 W	890 W	5,4 A	SP2616XW221
	2 CV	289 mm	22 m³/h	2"	16 kg	1 600 W	1 220 W	7 A	SP2622XW251
SUPER PUMP® THREE PHASE	1 CV	253 mm	13,5 m³/h	1" 1/2	14 kg	1 330 W	1 100 W	4,5/2,6 A	SP1611XW163 IE3 ✓
	1,5 CV	253 mm	18 m³/h	2"	15 kg	1 330 W	1 100 W	4,5/2,6 A	SP2616XW223 IE3 ✓
	2 CV	271 mm	22 m³/h	2"	16 kg	1 780 W	1 500 W	5,7/3,3 A	SP2622XW253 IE3 ✓

\* under 8m water column pressure