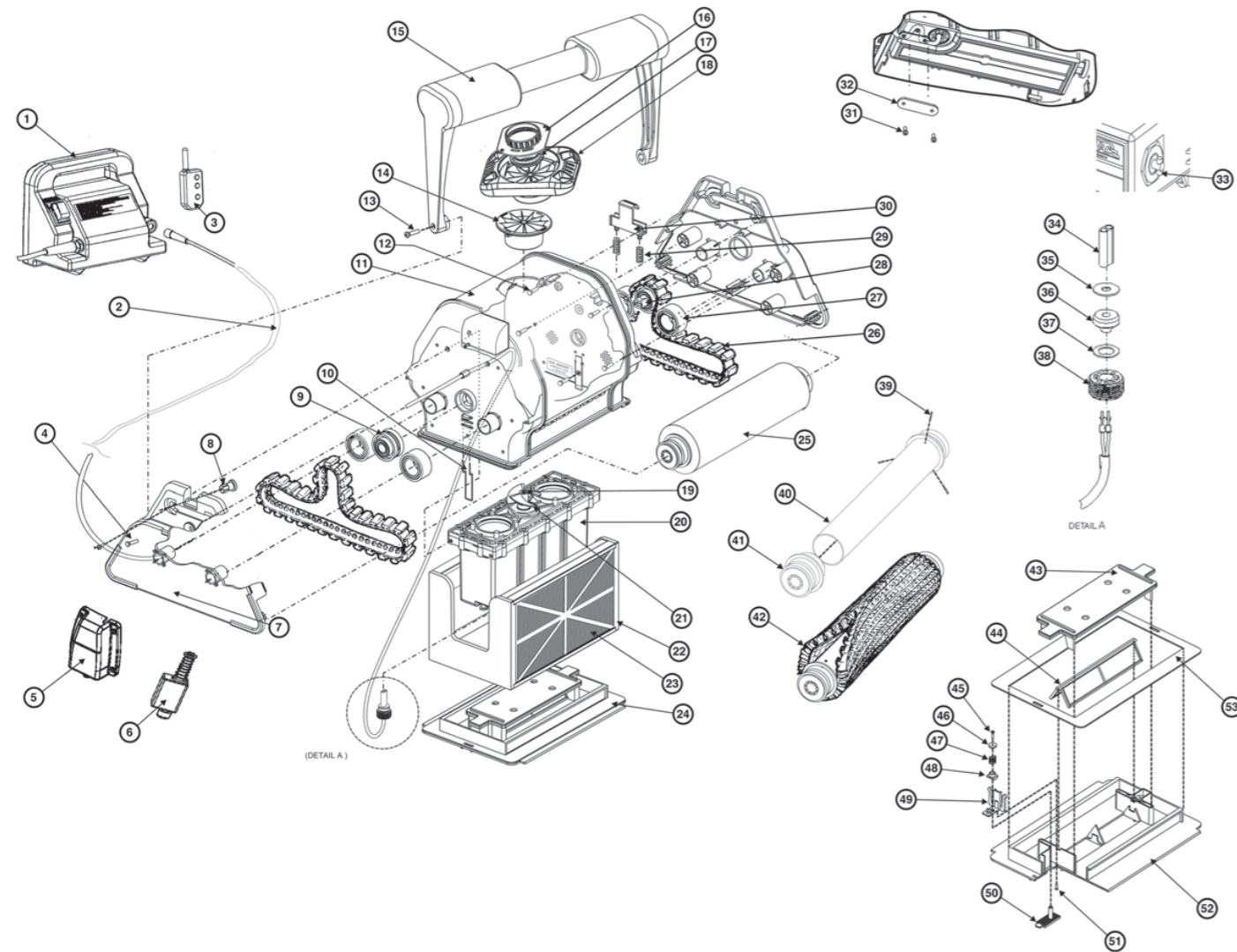


7018786 / 87 - HAYWARD TIGERSHARK



7018786 / 87 - HAYWARD TIGERSHARK

NR.	DESCRIPTION	PART NR. INCLUDES	PART NR.
1	Power supply TS/AV	1	7006463
1 Plus	Power supply	1	
1 QC	Power supply	1	7006498
2	Power cord assembly 50µf	1	7006500
2 Plus	Power cord 16,76 m remote T/S	1	
3	Remote-hand held	1	
4	Spring-bottom lid	1	
6 Plus	Solenoid, T/S remote	1	
7	Cover side	1	
7 Plus/QC	Cover side	1	
8	Handle-arm slide	1	
9	Roller-bearing guide	1	
10	Clip-lid, set of 2	2	
11	Assy - outer casing tigershark	1	
12	Screw-M4x12mm pan, set of 5	5	
13	Screw-M4x12mm pan, set of 5	5	
14	Venturi	1	
15	Handle, dk blue 2728c	1	
15 Plus/QC	Handle	1	
16	Kit-restrictor plate new model	1	
17	Restrictor plate insert	1	
18	Venturi, new style	1	
19	Screw-M4x12mm flat	5	
20	Motor-unit, 4 HR DC Input	1	7006461
20 QC	Motor-unit, 4 HR DC Quick Clean	1	7006462
20 Plus	Motor-unit, Remote 4 HR Plus	1	
21	Impeller	1	
22	Frame-filter	1	
23	Set-filter cartridge refill	1	
22+23	Filter cartridge assembly	1	7006478
24	Bottom lid	1	
25	Tube wheel	1	
26	Drive track-soft thread	1	7006460
27	Pulley-bearing idler	1	
28	Drive bearing pulley	1	
29	Spring-handle latch	1	
30	Latch-handle	1	
31	Screw-M2.9x8mm pan	5	
32	Plate-cover, strain relief	1	
33	Drive pin assembly	1	7006485
34	Housing connector	1	7006486
34 Plus	Housing connector	1	
35	Washer connector small hole	1	7006487
36	Compression seal	1	7006488
37	Washer connector large hole	1	7006489
38	Plug seal	1	7006490
39	Screw-self tap	1	
40	Tube-wheel	1	
41	Bearing-wheel tube	1	
42a	Brush T/S, clear	1	7006493
42b	Tube wheel with foam roller SV	1	7006533
43	Cover-inlet	1	
44	Flap-inlet	1	
45	Screw-M2.9x12mm pan	5	
46	Spring-retainer	1	
47	Spring-bottom lid	1	
48	Clip-follower	1	
49	Clip-support	1	
50	Plate-locking	1	
51	Screw-M2.9x13mm flat	5	
52	Lid-bottom	1	
53	Gasket-filter, bottom lid	1	