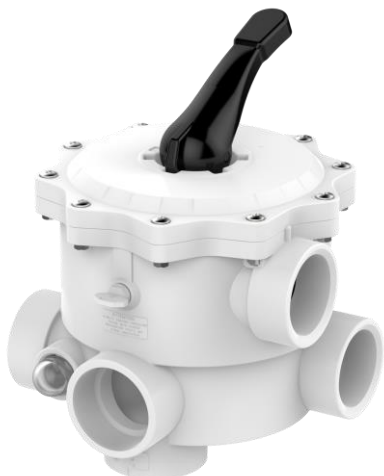


Product

6-way backwash valve



General:

- Body material: ABS / ASA-GF
- Seals: TPE + NBR
- Types: Side Mount (SM)
Top Mount (TM)
- Dimensions:
 - SM 1 ½" / 2" / 3"
 - TM 1 ½" / 2"
- Color:
 - ABS: white / black
 - ASA-GF: nature

Pipe connection Side Mount:

- 1 ½" valve
 - Solvent socket d50 metric
 - Thread R1 ½" BSP
 - Thread R1 ½" NPT
- 2" valve
 - Solvent Socket d63 metric
 - Thread R2" BSP
 - Thread R2" NPT
- 3" valve
 - Solvent socket d90 metric
 - Thread R3" BSP

Flange connection Top Mount

- 6" BS Thread flange
- Clamping flange
- Screw flange

Base connection Top Mount

- 1 ½" (metric / imperial): 50mm / 48,4mm
- 2" (metric / imperial): 63mm / 60,325mm

Operating pressure:

ABS:
SM 1 ½", 2", 3" / TM 1 ½"; 2" 3,5 bar (20C°)

ASA-GF:
SM 1 ½", 2" 6 bar (20C°)
SM 3" 5 bar (20C°)

Features:

- Automatization possible (with [®]AquaStar)
- with laser lettering several languages for positions possible

Accessories:

- Pipe system for Side Mount
- Clamp ring for Top Mount
- Praher Plastics adapter unions
- [®]AquaStar

This document does not constitute a guarantee, it is for initial information purposes only. The product range is constantly upgraded therefore the designs and types only reflect the state of the art at the time of printing.

Technical data

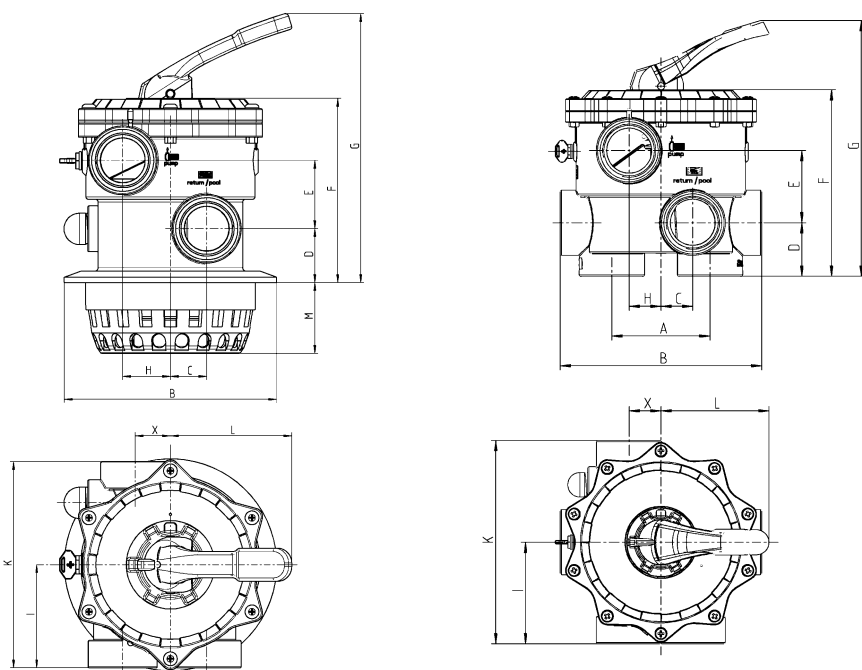
Product
6-way backwash valve



Dimensions:

Top Mount

Side Mount



	Side Mount						Top Mount	
	1 1/2"		2"		3"		1 1/2"	2"
	ABS	ASA-GF	ABS	ASA-GF	ABS	ASA-GF	ABS	ABS
A	99		110		170		130	125
B	180		227		329		<i>see flange connection</i>	<i>see flange connection</i>
C	31,5		36		50		31,5	36
D	48,5		60		85,5		38	43
E	60		81		110		59,5	81
F	165		210		304		235,5	280
G	247		296		434		245	292
H	41,5		36		50		41,5	36
I	87,5		115		165		90	114,5
K	175		230		330		180	229
L	135,5		135,5		206		135,5	135,5
M	/		/		/		46	57
X	30		36		50		30	36

Dimensions in mm



Technical data

Product

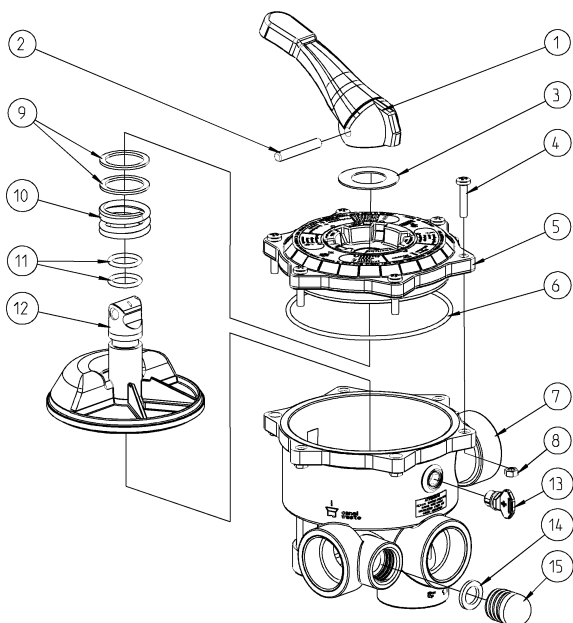
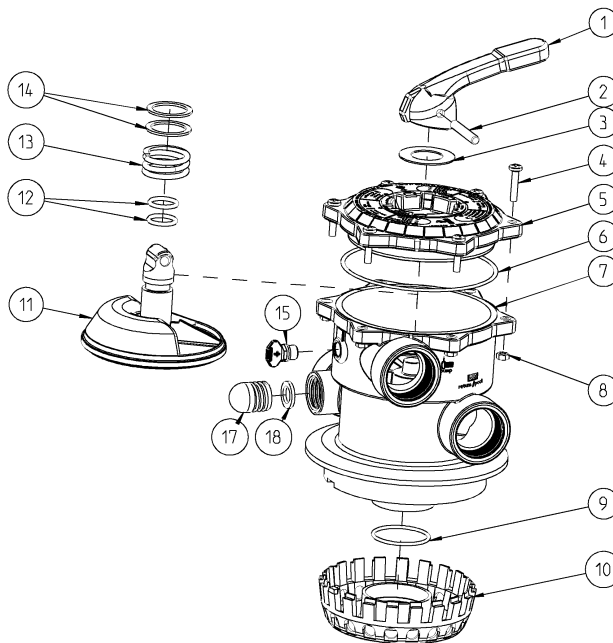
6-way backwash valve



Exploded drawing:

Top Mount:

1. Handle
2. Handle polt
3. POM-Washer
4. Screw
5. Cover
6. O-Ring
7. Body
8. Screw nut
9. O-Ring
10. Base
11. Valve plate
12. O-Ring
13. Spring
14. POM-Washer
15. Air bleeder plug + O-Ring
17. Sight glass
18. Seal flat



Side Mount:

1. Handle
2. Handle polt
3. POM-Washer
4. Screw
5. Cover
6. O-Ring
7. Body
8. Screw nut
9. POM-Washer
10. Spring
11. O-Rings
12. Valve plate
13. Air bleeder plug + O-Ring
14. Seal flat
15. Sight glass

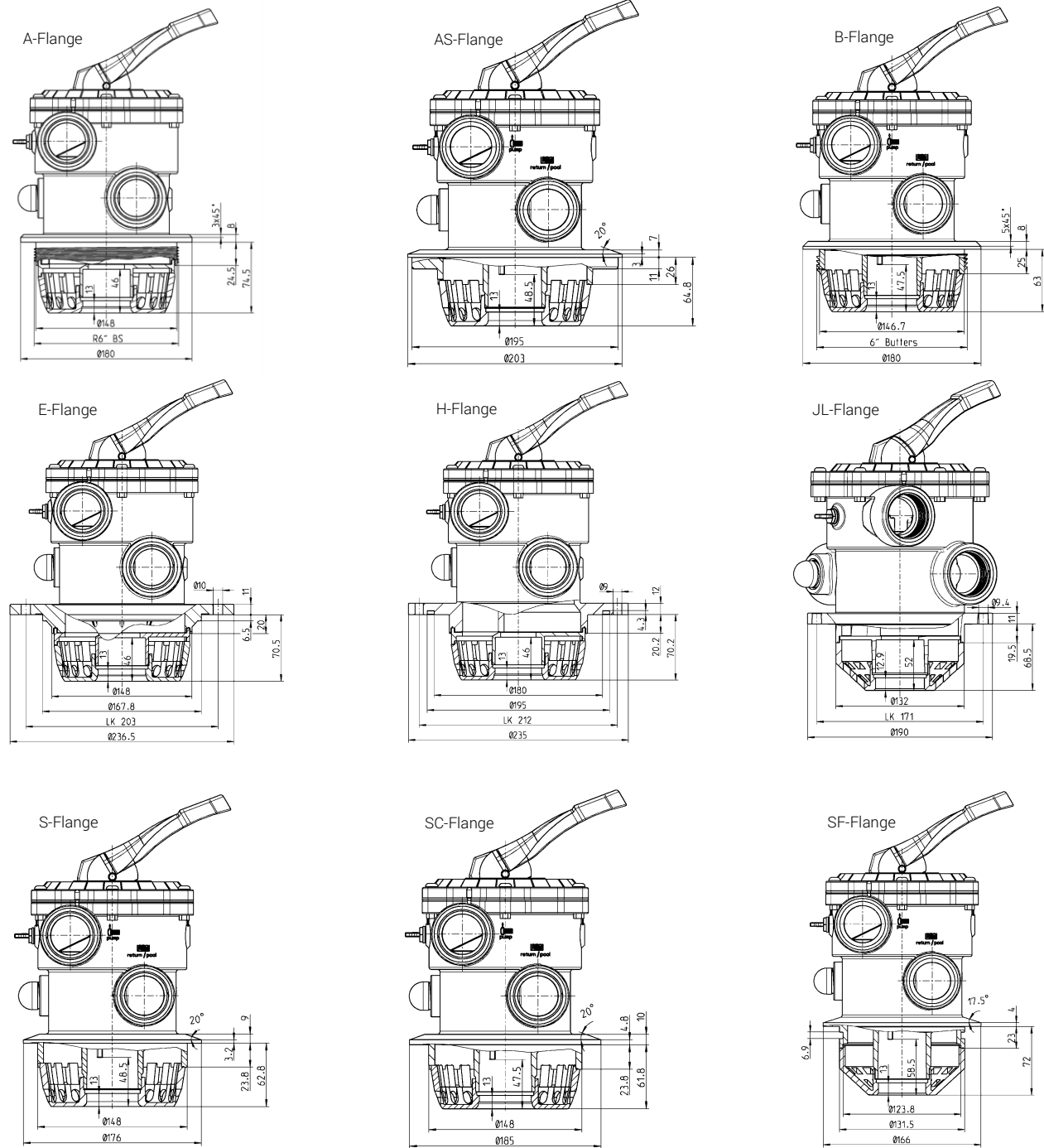


Technical data

Product
6-way backwash valve

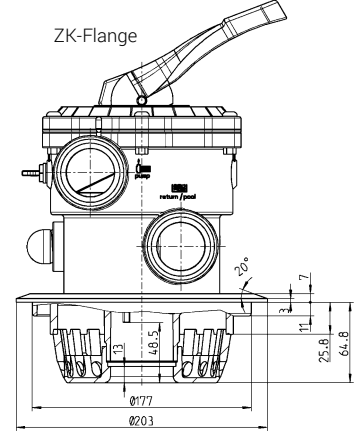
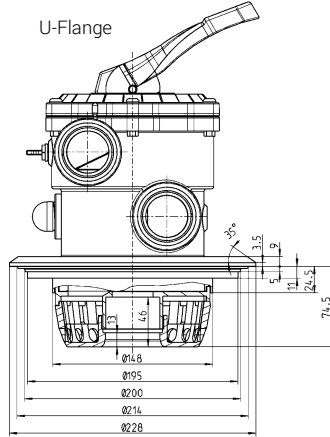
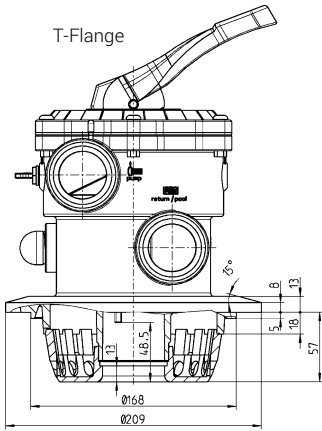


Flange connection Top Mount 1 1/2":

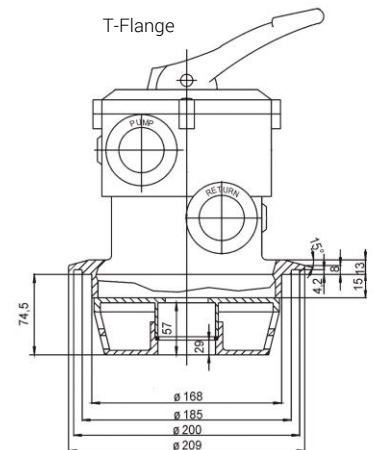
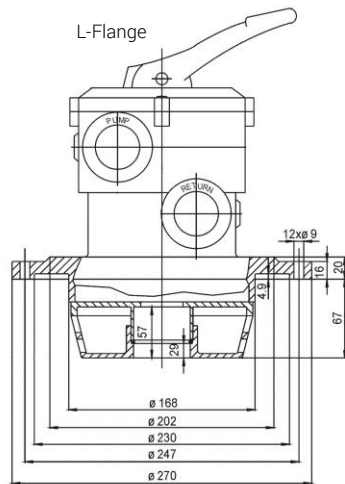
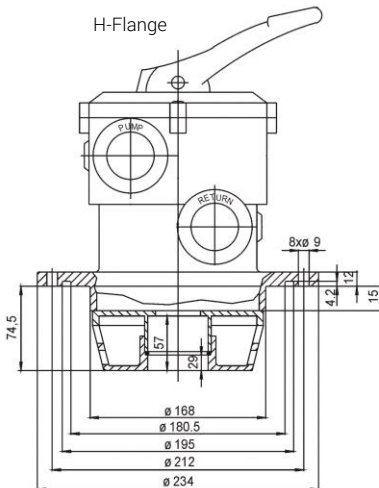
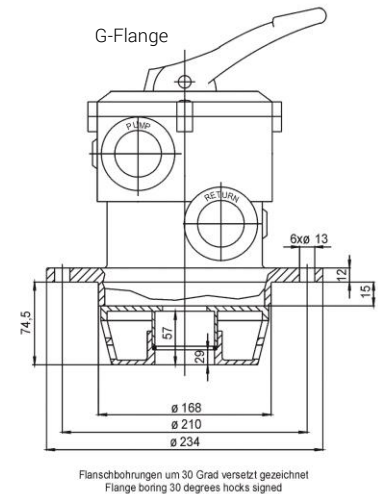
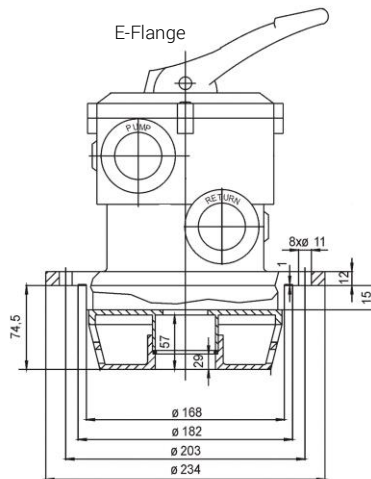
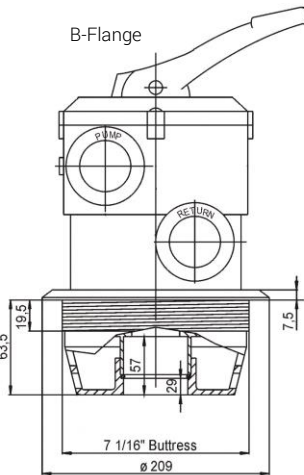


Technical data

Product
6-way backwash valve

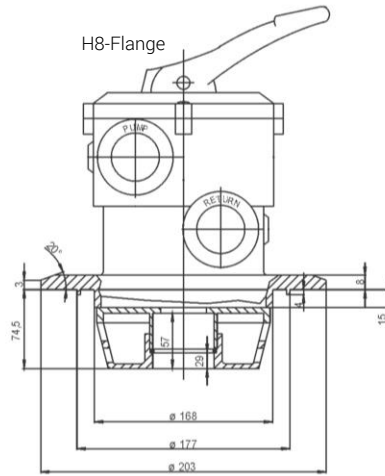
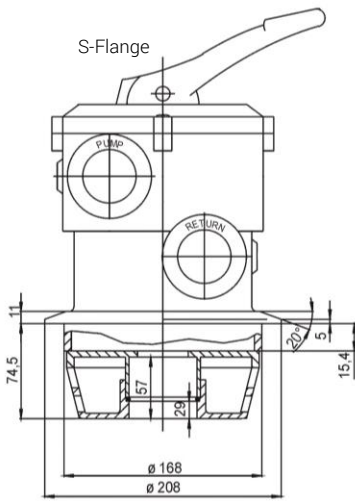


Flange connection Top Mount 2":

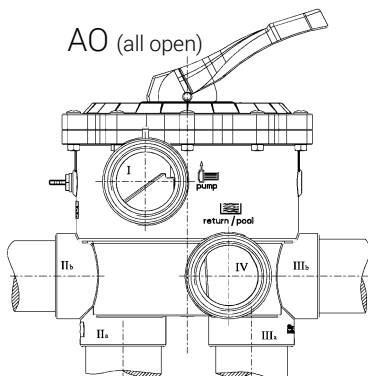
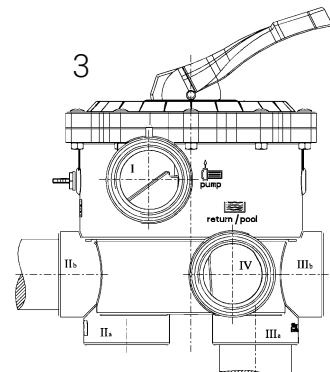
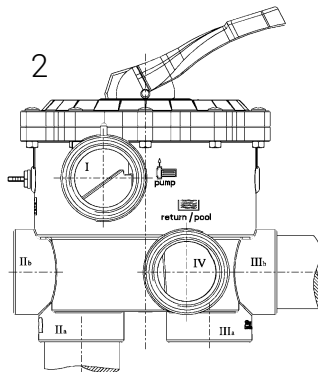
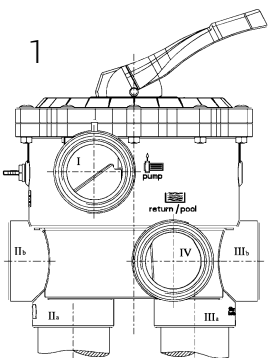


Technical data

Product
6-way backwash valve



Pipe connection Side Mount 1 1/2", 2" and 3":



Nr.	Bezeichnung
I	from pump
II	to filter
III	from filter
IV	to pool
V	to waste



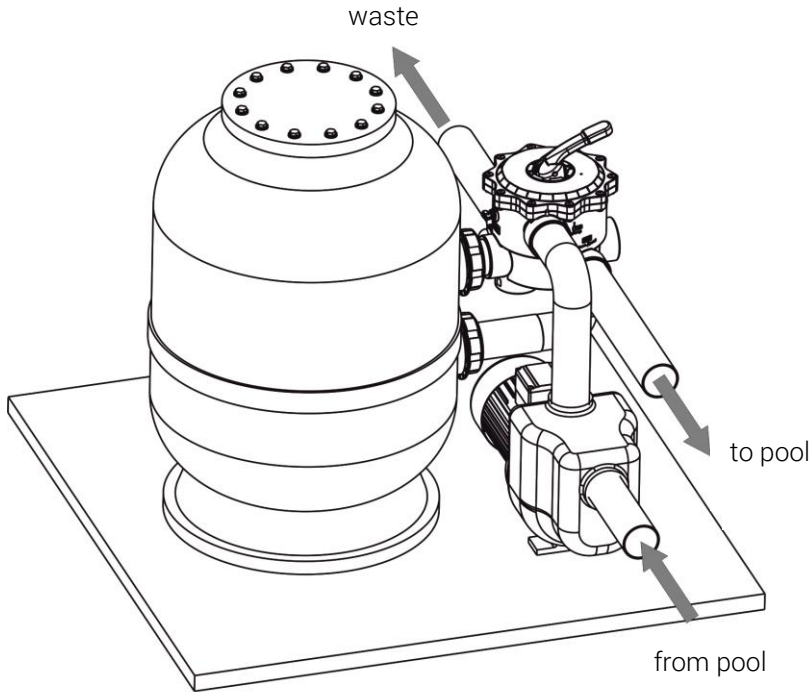
Technical data

Product

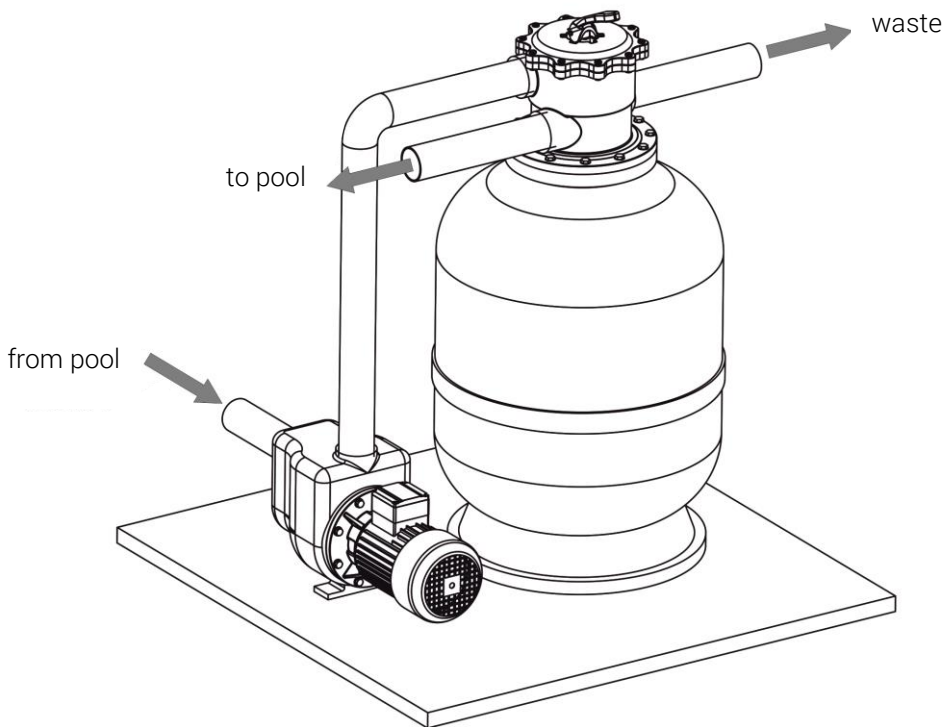
6-way backwash valve



Scheme Side Mount:



Scheme Top Mount:



Technical data

Product

6-way backwash valve



Function- and installationscheme:

<p>1. Filter Filtration of medium</p> <p><i>Loop: pool – pump – valve (to filter) – filter – valve (from filter) – pool</i></p>	
<p>2. Backwash Cleaning of filter medium in upstream</p> <p><i>Loop: pool – pump – valve (from filter) – filter – valve (to filter) – pool</i></p>	
<p>3. Rinse Cleaning of filter medium after backwash</p> <p><i>Loop: pool – pump – valve (to filter) – filter – valve (from filter) – waste</i></p>	

© Praher Plastics Austria GmbH DB/EN/16/03/377 Subject to technical modification!



Technical data

Product
6-way backwash valve



<p>4. Waste Drainage of pool with pump</p> <p><i>Loop: pool – pump – valve – waste</i></p>	<p style="text-align: center;">to filter</p> <p style="text-align: center;">from filter</p>
<p>5. Recirculation Recirculation of fluid without filter (by pass filter)</p> <p><i>Loop: pool – pump – valve – pool</i></p>	<p style="text-align: center;">to filter</p> <p style="text-align: center;">from filter</p>
<p>6. Closed No circulation! Do not operate the pump!</p> <p><i>Loop: pool – pump – valve</i></p>	<p style="text-align: center;">to filter</p> <p style="text-align: center;">from filter</p>
<p>7. Winter position Valve plate is lifted; gasket is discharged</p>	

© Praher Plastics Austria GmbH DB/EV/16/03/377 Subject to technical modification!



Technical data

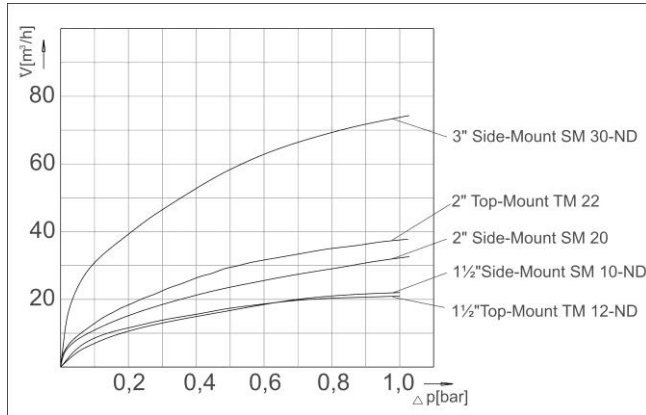
Product

6-way backwash valve



Diagrams:

Pressure loss diagram filter:



Pressure loss diagram backwash:

