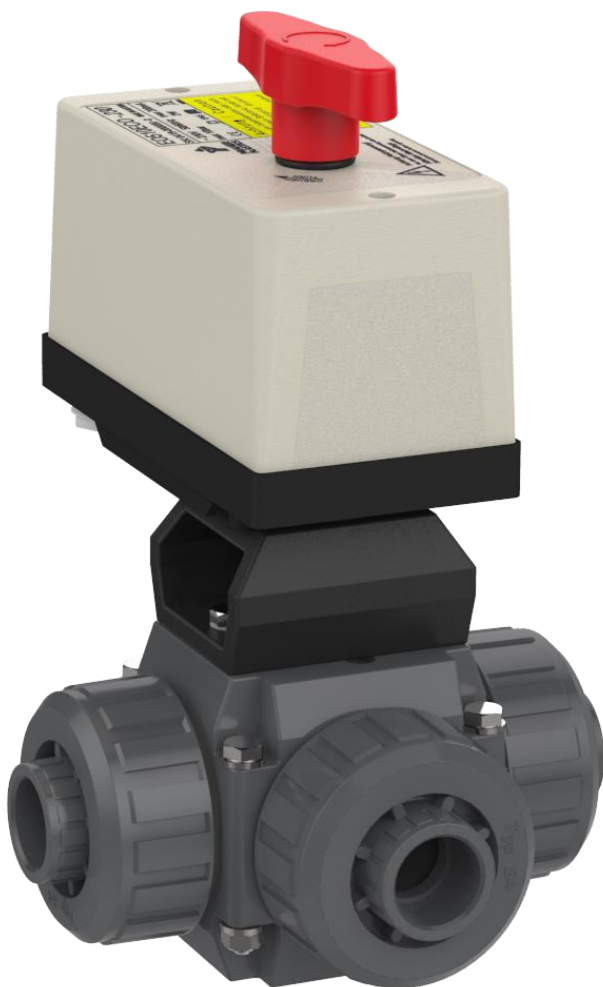


Technical data

## 3 way ball valve S4

Electric actuator EO510 ECO



### General:

- Material: PVC-U / PP / PVDF
- Sealing material: EPDM / FPM
- Ball seating joint: PTFE
- Ball T- or L-bore
- Dimensions
 

DN10	(DN15 / d16 / d3/8")
DN15	d20 / d1/2"
DN20	(DN25 / d25 / d3/4")
DN25	d32 / d1"
DN32	(DN40 / d40 / d1 1/4")
DN40	d50 / d1 1/2"
- Voltages: 230V AC

### Connector types

- Solvent socket DIN  
PVC
- Solvent spigot DIN  
PVC
- Fusion socket DIN  
PP / PVDF
- Fusion spigot DIN  
PP / PVDF

### Operating pressure:

DN10 d12 3/8" – DN25 d10 1" 10 bar  
 DN32 d40 1 1/4" – DN40 d50 1 1/2" 3 bar

### Technical Features:

- Manual override with visual position indicator
- 4 possible travel stops
- Position feedback possible
- Protection class IP65

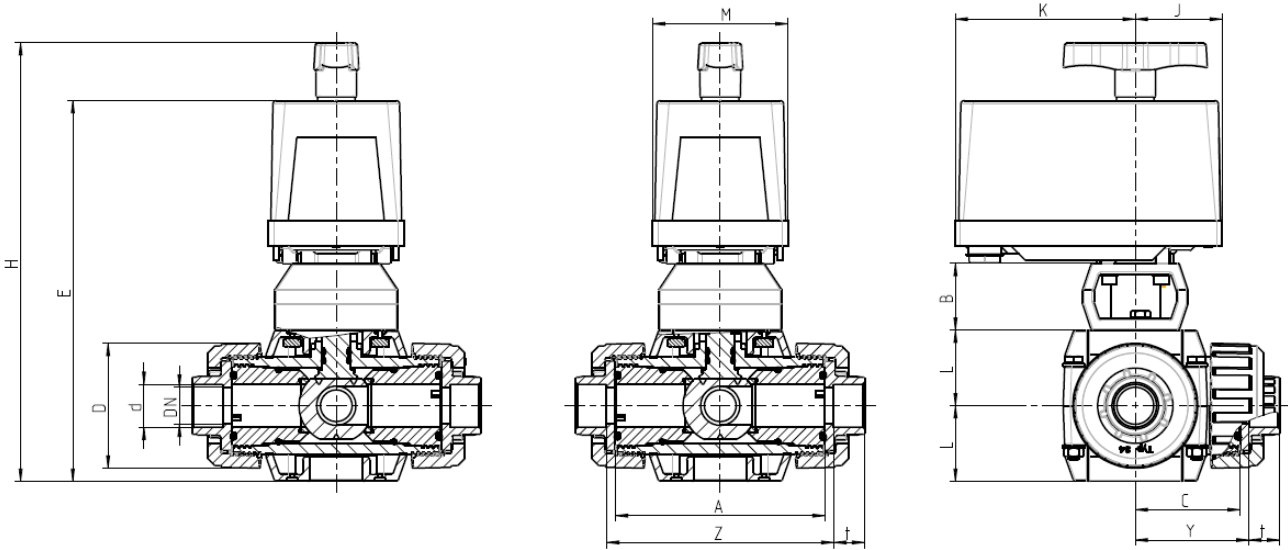
This document does not constitute a guarantee, it is for initial information purpose only. The product range is continually upgraded, the designs and types therefore only reflect the state of the art at the time of printing. Subject to technical modifications!

Technical data

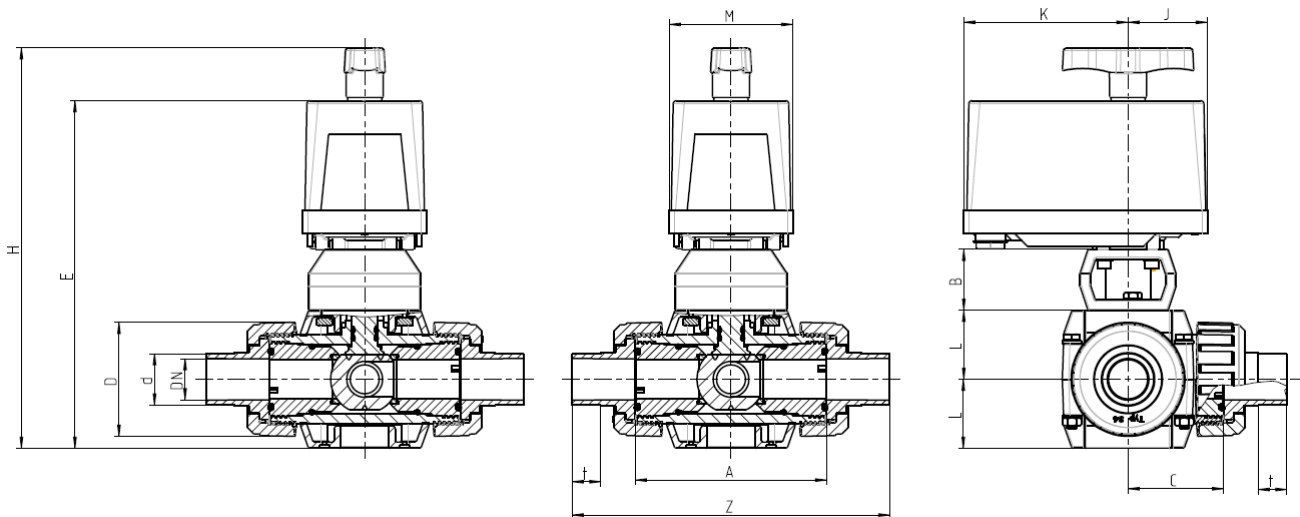
### 3 way ball valve S4 Electric actuator EO510 ECO



BV-PVC-U solvent socket:



BV-PVC-U solvent spigot:



Technical data

### 3 way ball valve S4

Electric actuator EO510 ECO



**PVC-U**

**Connector types**

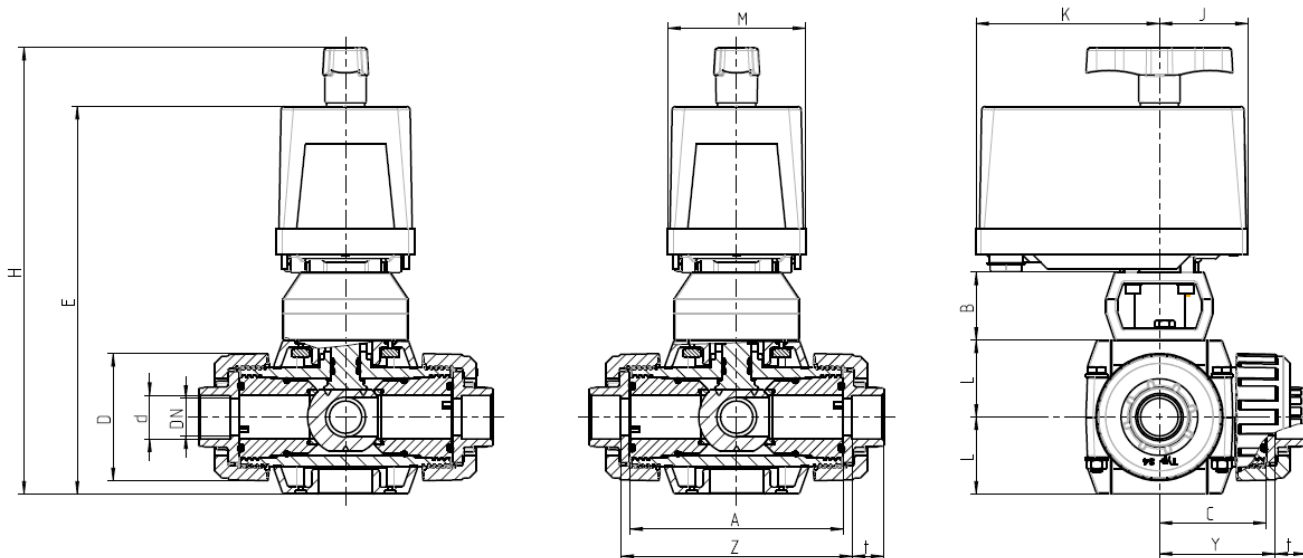
PVC solvent socket / solvent spigot

						<i>without console</i>	
<b>DN</b>		<b>10</b>	<b>15</b>	<b>20</b>	<b>25</b>	<b>32</b>	<b>40</b>
<b>d</b>		<b>16</b>	<b>20</b>	<b>25</b>	<b>32</b>	<b>40</b>	<b>50</b>
ball valve PVC-U	<b>A</b>	100	100	120	120	162	162
	<b>C</b>	50	50	60	60	81	81
	<b>D</b>	53	53	70	70	101	101
	<b>t sso<sup>1</sup> / ssp<sup>2</sup></b>	16,5	16,5	20	22,5	27,5	31,5
	<b>Y</b>	53	53	63	63	84,5	85,5
	<b>Z sso<sup>1</sup></b>	106	106	126	126	169	171
	<b>Z ssp<sup>2</sup></b>	153	163	-	200	-	261
	<b>bar</b>	10	10	10	10	3	3
Bracket / actuator	<b>E</b>	196,5	196,5	216,5	216,5	205	205
	<b>H</b>	229,5	229,5	249,5	249,5	238	238
	<b>M</b>	77	77	77	77	77	77
	<b>J</b>	49,5	49,5	49,5	49,5	49,5	49,5
	<b>K</b>	102,5	102,5	102,5	102,5	102,5	102,5
	<b>L</b>	33	33	43	43	56	56
	<b>B</b>	38	38	38	38	-	-

dimensions in mm

<sup>1</sup> SSO = solvent socket      - = currently not realised  
<sup>2</sup> SSP = solvent spigot

**BV-PP/PVDF fusion socket:**



© Praher Plastics Austria GmbH DB/EN/DEEN/20/04/308/A Subject to technical modification

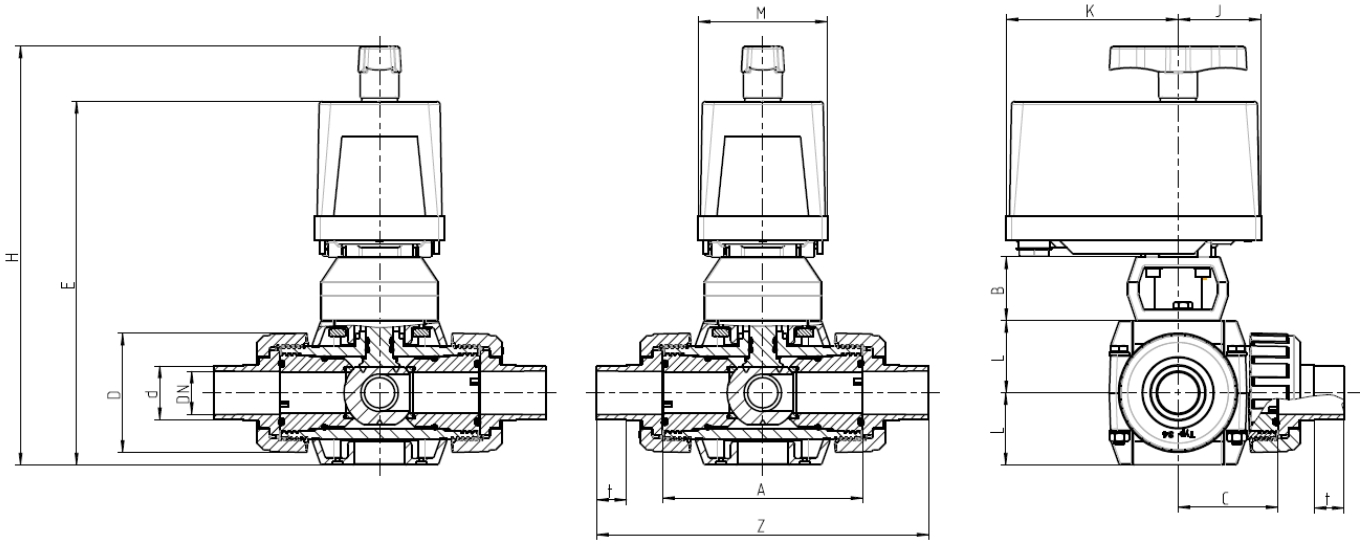
Technical data

### 3 way ball valve S4

Electric actuator EO510 ECO



BV-PP/PVDF fusion spigot:



### PP / PVDF

#### Connector types

PP / PVDF fusion socket / fusion spigot

		DN	10	15	20	25
		d	16	20	25	32
ball valve PP / PVDF	A		98	98	118	118
	C		49	49	59	59
	D		53	53	70	70
	t <sub>Fso</sub> <sup>1</sup>		14,5	16	17,5	19,5
	t <sub>Fsp</sub> <sup>2</sup>		13	14	16,5	18,5
	Y <sub>Fso</sub> <sup>1</sup>		54	52	64	65
	Z <sub>Fso</sub> <sup>1</sup>		107	104	128	129
	Z <sub>Fsp</sub> <sup>2</sup>		150	160	190	197
		bar	10	10	10	10
Bracket / actuator	E		196,5	196,5	216,5	216,5
	H		229,5	229,5	249,5	249,5
	M		77	77	77	77
	J		49,5	49,5	49,5	49,5
	K		102,5	102,5	102,5	102,5
	L		33	33	43	43
	B		38	38	38	38

dimensions in mm

<sup>1</sup> FSO = fusion socket

<sup>2</sup> FSP = fusion spigot

Technical data

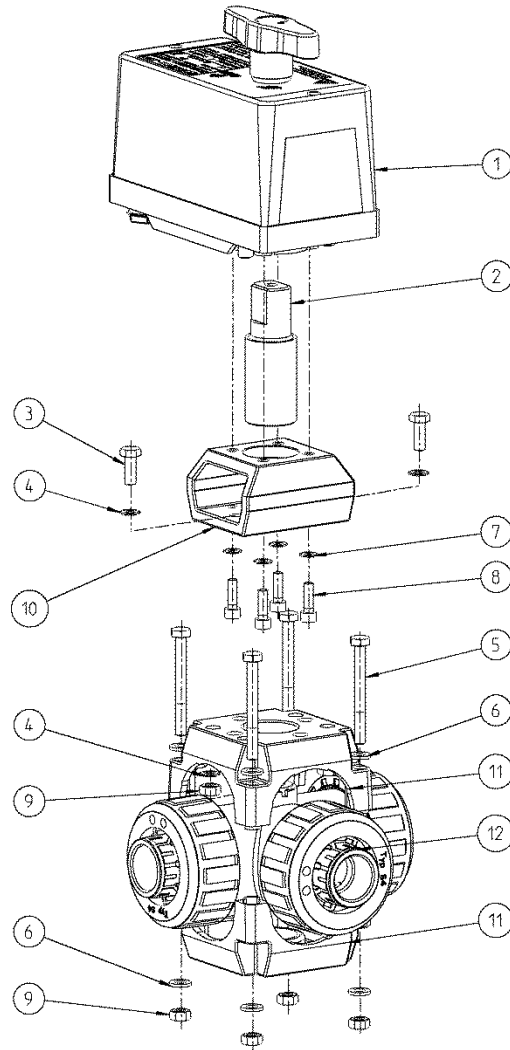
### 3 way ball valve S4

Electric actuator EO510 ECO



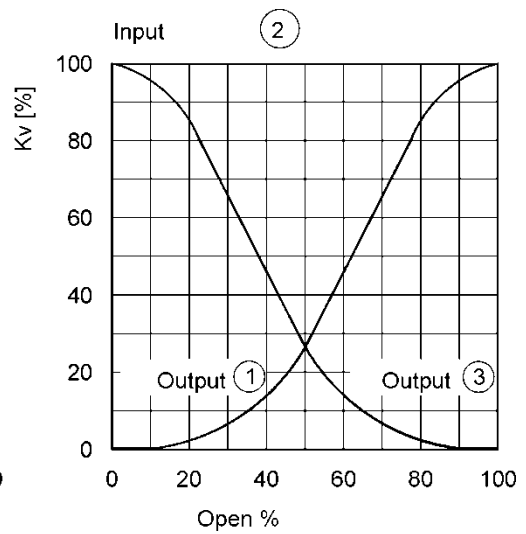
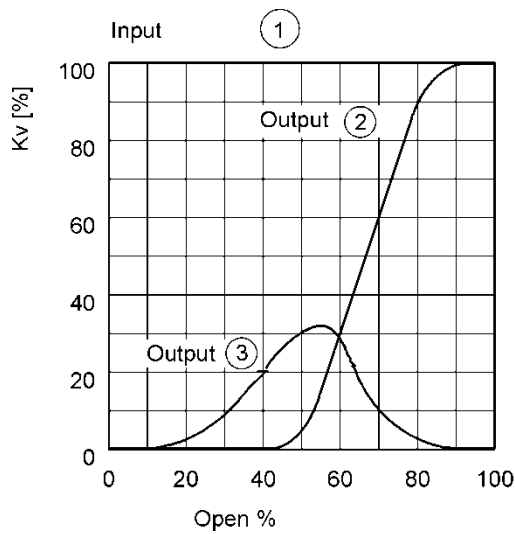
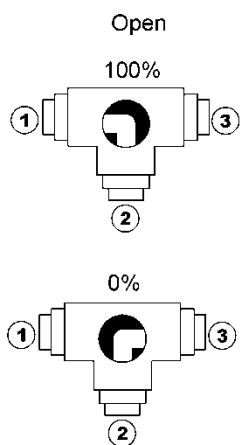
**Exploded drawing:**

- 1. Actuator
- 2. Clutch
- 3. Screws
- 4. Tooth wheel
- 5. Screws
- 6. Washer
- 7. Tooth wheel
- 8. Screw
- 9. Nut
- 10. Console
- 11. Bracket
- 12. 3 way ball valve S4



**Diagrams:**

**Flow-Characteristic**



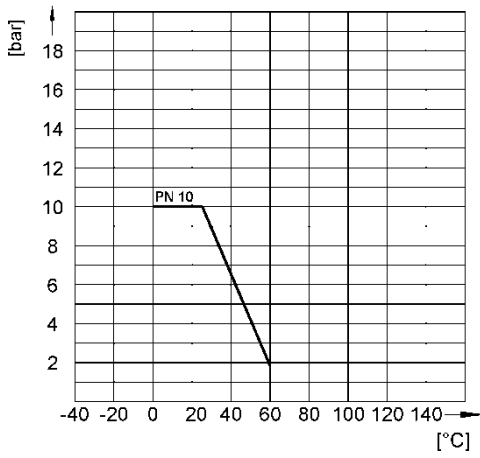
© Praher Plastics Austria GmbH DB/EN/DEEN/20/04/308/A Subject to technical modification!

Technical data

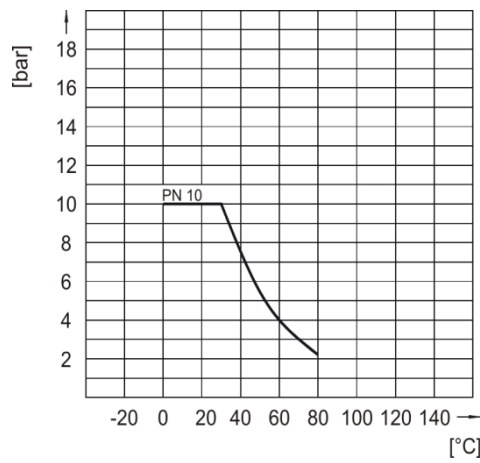
**3 way ball valve S4**  
Electric actuator EO510 ECO



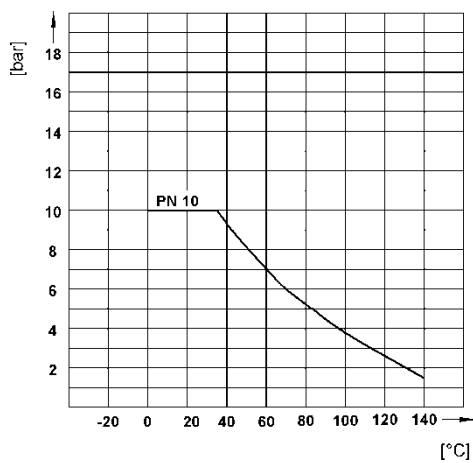
Pressure-Temperature-Diagram – PVC-U



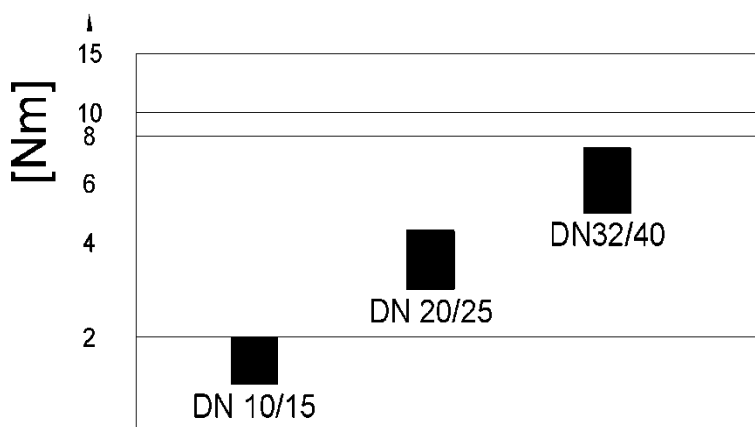
Pressure-Temperature-Diagram – PP



Pressure-Temperature-Diagram – PVDF



Torque



Technical data

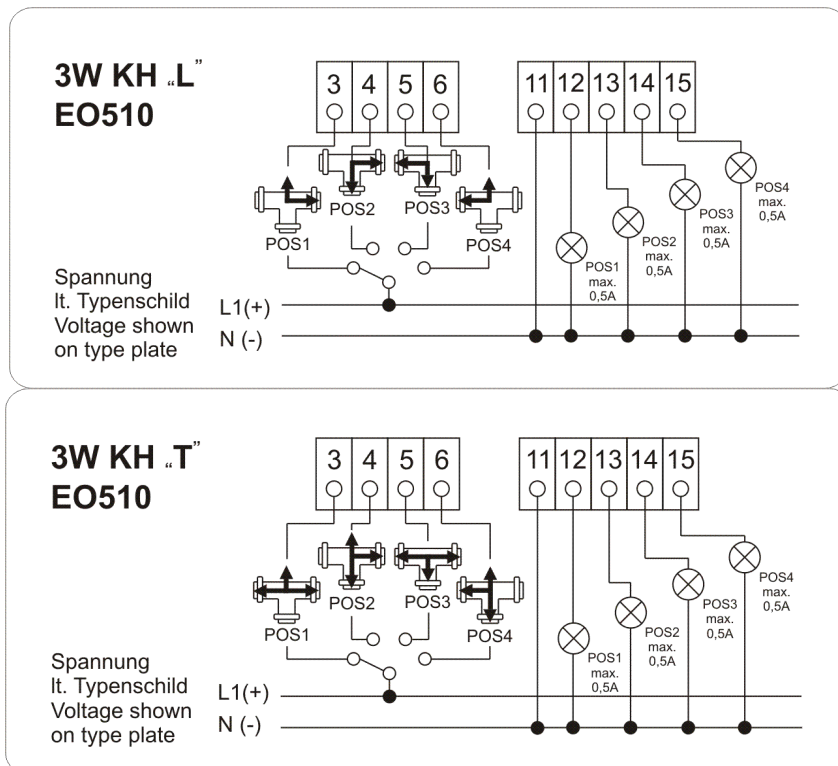
**3 way ball valve S4**  
Electric actuator EO510 ECO



**Technical data EO510 ECO:**

	<b>EO510 ECO-230</b>
Voltages	230V AC
Frequency range	50 / 60 Hz
Power consumption	4 Watt
Protection	IP65
Operating time	26 sec 90°
Rotation angle	360° set to 90° 2 intermediate positions possible
Duty duration	60% / max. 20 min
Electrical connection	cable gland
Nominal torque	7 Nm
Peak torque	9 Nm
Temperature	0°C bis + 50°C
Body material	ABS
Position indicator	optically (manual override handle)
Manual override	integrated

**Electrical Connection:**



© Praher Plastics Austria GmbH DB/EN/DEEN/20/04/308/A Subject to technical modification